



**APPLICATION FOR  
HISTORIC AREA WORK PERMIT**  
HISTORIC PRESERVATION COMMISSION  
301.563.3400

FOR STAFF ONLY:  
HAWP# 1064284  
DATE ASSIGNED \_\_\_\_\_

**APPLICANT:**

Name: Rich and Jacqueline Renz E-mail: jackcoussan@yahoo.com  
Address: 3705 Underwood St City: Chevy Chase Zip: MD  
Daytime Phone: 440-391-2650 Tax Account No.: 00527510

**AGENT/CONTACT (if applicable):**

Name: LUKE OLSON E-mail: LOLSON@GTMARCHITECTS.COM  
Address: 7735 OLD GEORGETOWN RD STE 700 City: BETHESDA Zip: 20814  
Daytime Phone: 240-333-2021 Contractor Registration No.: \_\_\_\_\_

**LOCATION OF BUILDING/PREMISE:** MIHP # of Historic Property \_\_\_\_\_

Is the Property Located within an Historic District? Yes/District Name \_\_\_\_\_  
X No/Individual Site Name Welsh House

Is there an Historic Preservation/Land Trust/Environmental Easement on the Property? If YES, include a map of the easement, and documentation from the Easement Holder supporting this application.

Are other Planning and/or Hearing Examiner Approvals /Reviews Required as part of this Application? (Conditional Use, Variance, Record Plat, etc.?) If YES, include information on these reviews as supplemental information.

Building Number: 3705 Street: Underwood St  
Town/City: Chevy Chase Nearest Cross Street: Thornapple Pl  
Lot: 11 Block: 3 Subdivision: 0040 Parcel: \_\_\_\_\_

**TYPE OF WORK PROPOSED: See the checklist on Page 4 to verify that all supporting items for proposed work are submitted with this application. Incomplete Applications will not be accepted for review. Check all that apply:**

- |  |  |  |
|--|--|--|
| <input type="checkbox"/> New Construction              | <input checked="" type="checkbox"/> Deck/Porch | <input type="checkbox"/> Shed/Garage/Accessory Structure |
| <input checked="" type="checkbox"/> Addition           | <input type="checkbox"/> Fence                 | <input type="checkbox"/> Solar                           |
| <input type="checkbox"/> Demolition                    | <input type="checkbox"/> Hardscape/Landscape   | <input type="checkbox"/> Tree removal/planting           |
| <input checked="" type="checkbox"/> Grading/Excavation | <input type="checkbox"/> Roof                  | <input type="checkbox"/> Window/Door                     |
|  |  | <input type="checkbox"/> Other: _____                    |

I hereby certify that I have the authority to make the foregoing application, that the application is correct and accurate and that the construction will comply with plans reviewed and approved by all necessary agencies and hereby acknowledge and accept this to be a condition for the issuance of this permit.

\_\_\_\_\_  
Signature of owner or authorized agent

3/26/24  
\_\_\_\_\_  
Date

**HAWP APPLICATION: MAILING ADDRESSES FOR NOTIFYING**  
[Owner, Owner's Agent, Adjacent and Confronting Property Owners]

**Owner's mailing address**

Rich and Jacqueline Renz  
3705 Underwood St  
Chevy Chase MD 20815

**Owner's Agent's mailing address**

Luke Olson  
7735 Old Georgetown Rd Ste 700  
Bethesda, MD 20814

**Adjacent and confronting Property Owners mailing addresses**

Jason & Jill Larrabee  
3707 Underwood St  
Chevy Chase MD 20815

Joseph and Jenna Harar  
3703 Underwood St  
Chevy Chase MD 20815

Will Peppo  
3704 Underwood St  
Chevy Chase MD 20815

Brett & Ashley Kavanaugh  
3706 Underwood St  
Chevy Chase MD 20815

Elizabeth Mullin & Kenneth Connolly  
3702 Underwood St  
Chevy Chase MD 20815

Kevin Bromberg & Janet Robins  
3720 Williams Lane  
Chevy Chase MD 20815

Matthew & Maura Norden  
3718 Williams Lane  
Chevy Chase MD 20815

Description of Property: Please describe the building and surrounding environment. Include information on significant structures, landscape features, or other significant features of the property:

EXISTING 1,468 SF 2-STORY 3-BED/1.5 BATH VICTORIAN VERNACULAR STYLE HOME CIRCA 1897 W/ NON-HISTORIC WRAPAROUND FRONT AND SIDE PORCH AND REAR DECK. THE HOUSE CURRENTLY HAS A DIRT CELLAR WITH NO LIVABLE SPACE. THE EXISTING EXTERIOR MATERIALS CONSIST OF PTD WOOD LAP SIDING W/ 2.5" REVEAL, WITH AN ASPHALT SHINGLE ROOF, PTD MTL GUTTERS, AND PAINTED WOOD TRIM. THE EXISTING BRICK FOUNDATION HAS BEEN PARGED OVER, THE DECKING AND SKIRT BOARD ARE COMPOSITE MATERIALS, AND ALL OF THE WINDOWS HAVE BEEN REPLACED WITH PTD. WOOD DOUBLE-PANEL SDL WINDOWS. CURRENT HOUSE SITING IS NON-CONFORMING IN THAT IT IS SETBACK ONLY 3.2' FROM THE LEFT SIDE LOT LINE; REQUIRED SETBACK IS 7'. FROM THE MHT FORM:

**The two-story, two-bay wood frame residence has a gable roof and narrow clapboard siding, with 2/2 sash windows and a simple front door with transom. A rear ell projects to the west. Decorative elements include brackets on both projecting eaves at the front facade. A gable fanlight appears to be a later addition.**

After 1958 the original full-width front porch and separate east side porch were replaced with a wrap-around porch, which sits on concrete piers.<sup>1</sup>

The house remains on its original site, Lot 11, Block 3, consisting of 6,250 square feet of land.<sup>2</sup>

Description of Work Proposed: Please give an overview of the work to be undertaken:

The current house has 3 bedrooms on the 2nd level but only 1 bath, there is no mudroom or closet of any usable size at the entry, no home office space, and the laundry room consists of a compact stacked unit in a small closet in the kitchen. There is no basement in the house that could be finished and utilized to resolve these issues, so a modest addition mainly to the rear of the house with a partial infill/extension to the back end of the existing non-historic wraparound porch seems the most appropriate way to provide the necessary spaces with minimal impact to the historic character of the existing resource.

We are proposing 2-story rear gable addition with 1-story addition to the right side and new rear deck. The two story addition measures 15.5' x 20' and is setback 4.2' from the left side to conform with the required 7' side setback, leaving 3.1' from the right side to the corner of the existing house. The eaves of the 2-story addition will align with the existing house eaves, and the ridge will not extend above the existing roof. There is a new chimney at the rear of the addition that will extend up above the roof-line, but given it's location at the back of the addition and the 2-story height of the existing house, it will be minimally visible from the street. The rest of the 2-story mass is entirely behind the existing house and will not be visible from the public right-of-way.

The 1-story right side addition includes an approx. 61 sf infill of the back 9' of the existing non-historic wraparound porch, and extends the porch roof line around to the rear of the house to minimize the change in the massing when viewed from the street.

We've located the rear addition in the same location as the current deck structure to minimize impact/disturbance on the lot. At 394 sf, our addition constitutes an approx. 35% increase to the existing house footprint, and we are well below the 35% max lot coverage at 24.4%.

The siding on the addition will be ptd. fibercement siding with a 5" reveal to align with the current 2.5" reveal while also differentiating old from new. Hardie siding cannot be installed with a 2.5" reveal so this seems the most appropriate option. The new trim will be ptd. composite trim; the gutters and roofing are to match existing, and the concrete foundation and piers will be parged to match existing. The new deck and steps will be composite materials to match the existing decking, the new railing will be painted wood where we are extending out from the existing railing, and painted composite railing on the new rear deck. The windows will be aluminum-clad wood SDL windows to match the current 2 over 2 configuration. The new doors will be clad-wood SDL units as well.

In response to the Staff report and feedback received from the Commissioners at the April 17, 2024 HPC meeting, we have added two windows to the left elevation, reduced and simplified the chimney design, added the hvac unit and proposed modifications to the stepping stone path on the site plan, specified the new railing on the side stair be ptd wood to match exg. and called for the existing covered porch decking to be salvaged for re-use on the new side stair for consistency with the exg. front cov'd porch finish.





## RENZ RESIDENCE

23.0603 3705 UNDERWOOD ST, CHEVY CHASE, MD

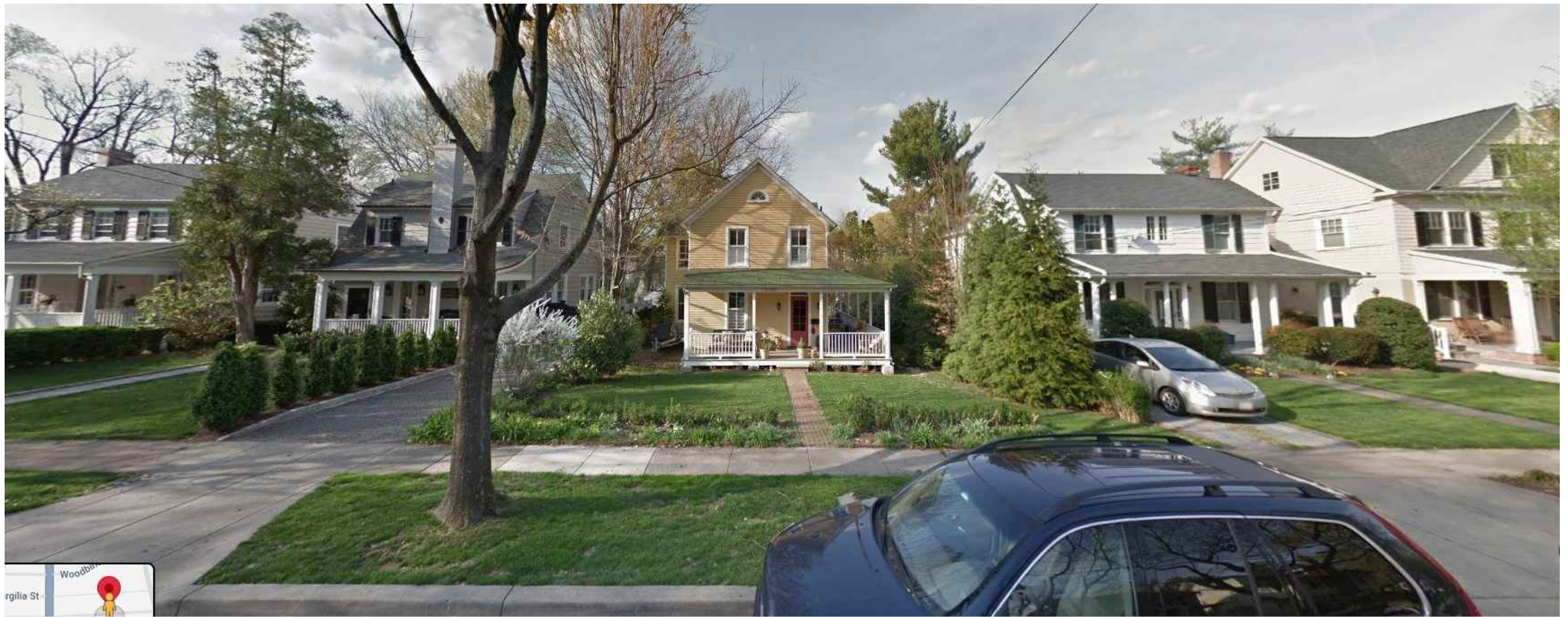
COPYRIGHT 2024, GTM ARCHITECTS, INC.

7735 OLD GEORGETOWN ROAD, SUITE 700, BETHESDA, MD 20814 - TEL: (240) 333-2000 - FAX: (240) 333-2001

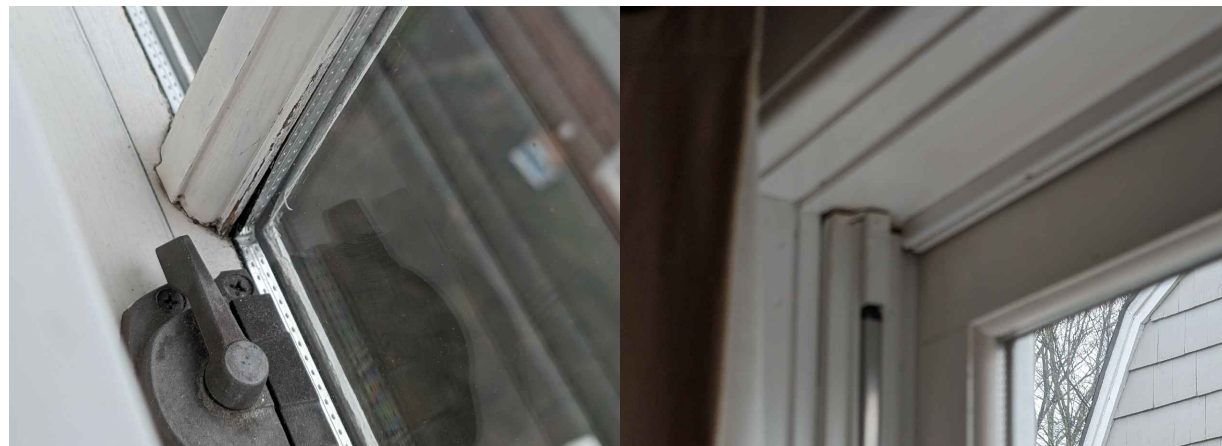
GTM

GTM ARCHITECTS





STREETSCAPE



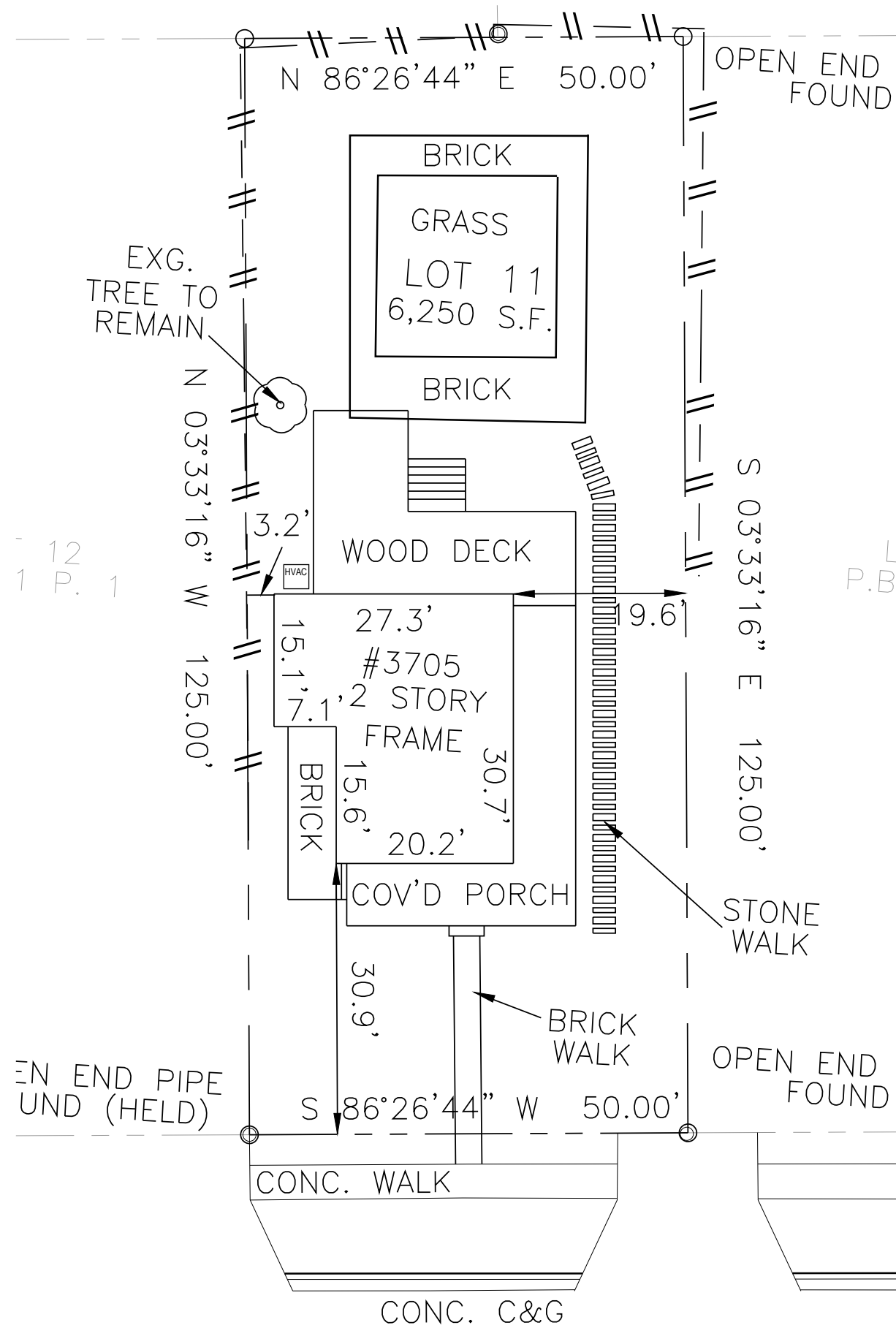
SDL WINDOW REPLACEMENT PHOTOGRAPHIC EVIDENCE

The Welsh House, built in 1897, was the second house constructed in Otterbourne, a subdivision platted in 1894 and later absorbed into the Village of Chevy Chase, Section 5. A rare example of Victorian vernacular architecture in Chevy Chase, the house is located on the north side of Underwood Street (formerly Douglas Street), facing south.

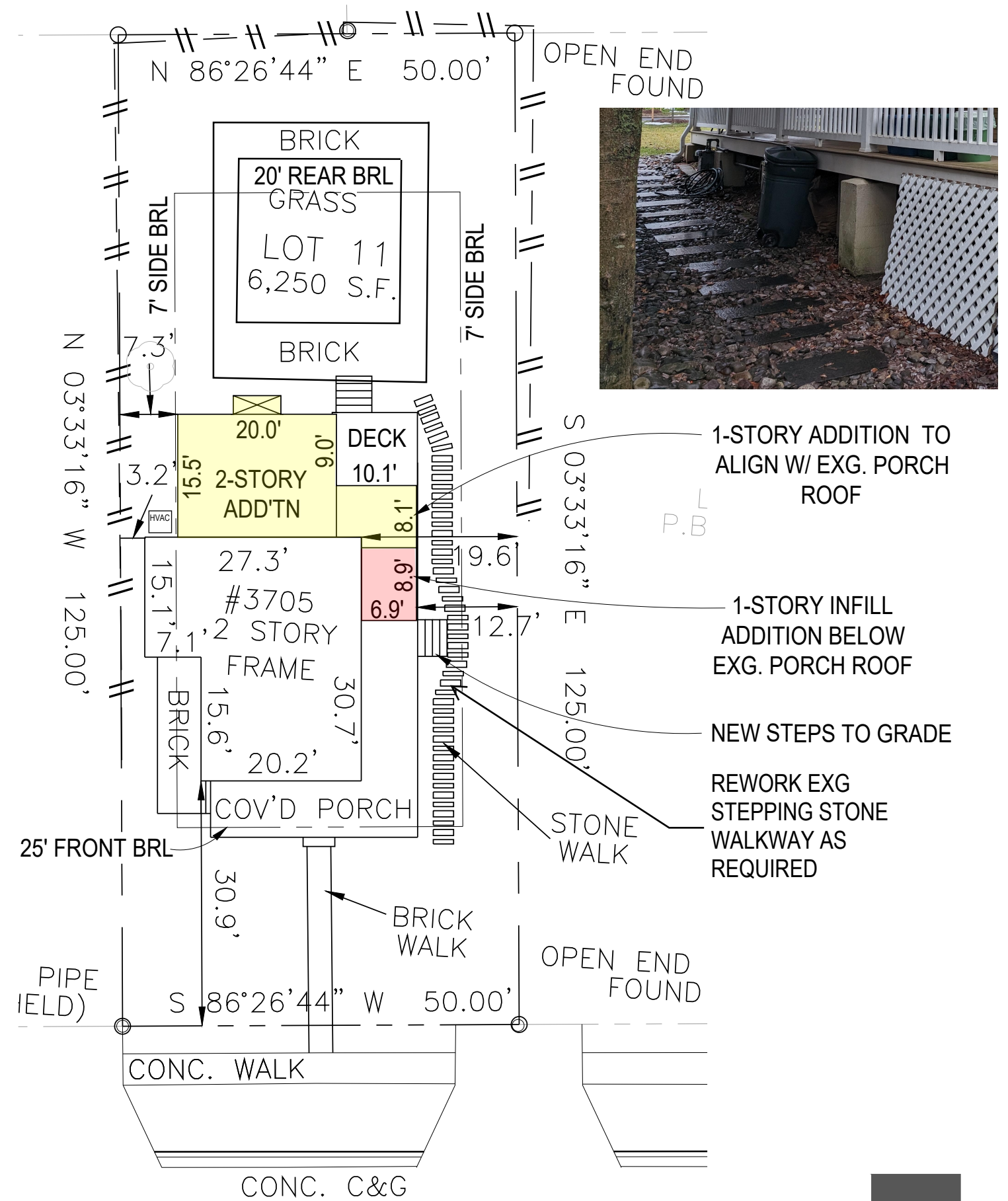
The two-story, two-bay wood frame residence has a gable roof and narrow clapboard siding, with 2/2 sash windows and a simple front door with transom. A rear ell projects to the west. Decorative elements include brackets on both projecting eaves at the front facade. A gable fanlight appears to be a later addition.

After 1958 the original full-width front porch and separate east side porch were replaced with a wrap-around porch, which sits on concrete piers.<sup>1</sup>

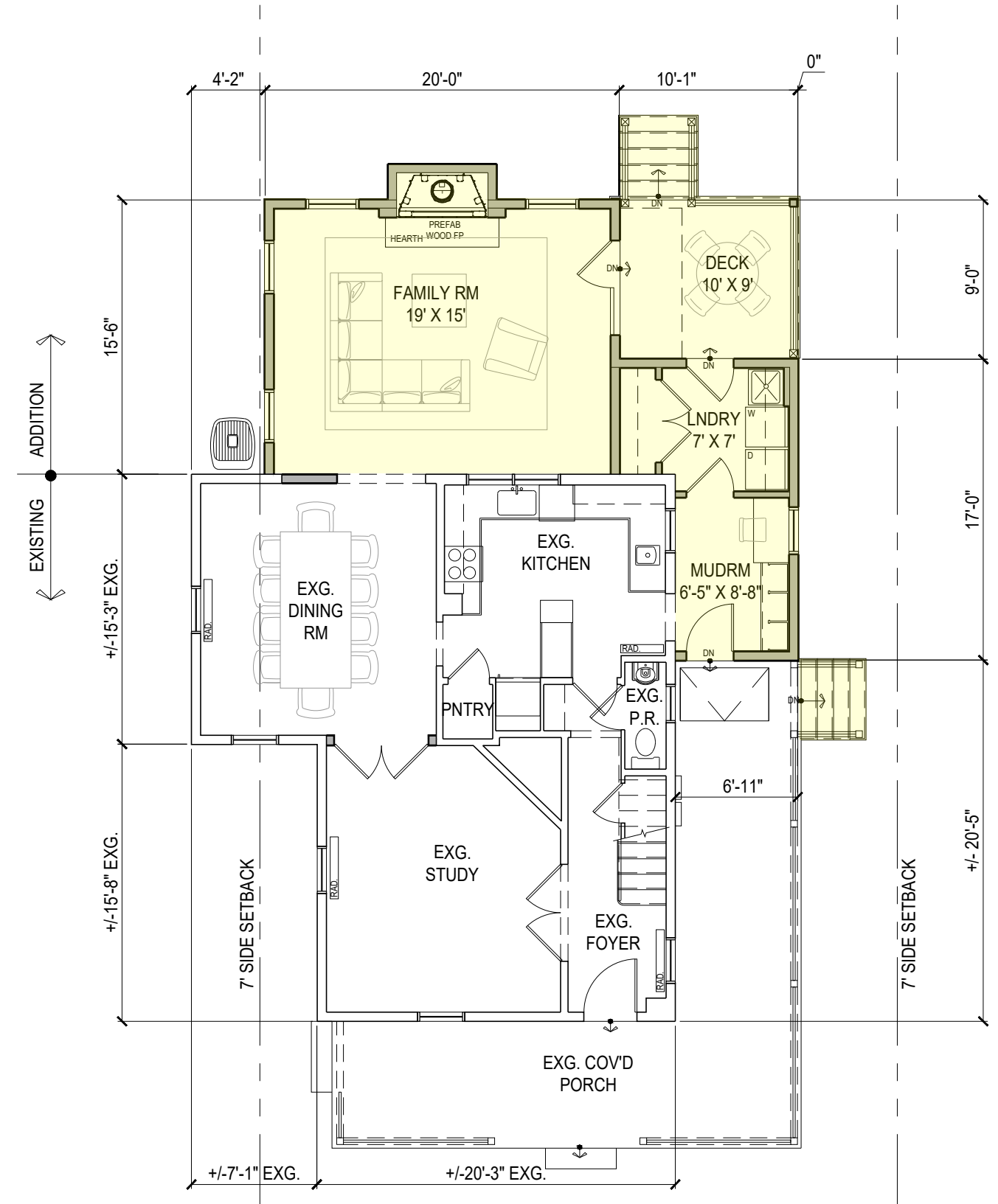
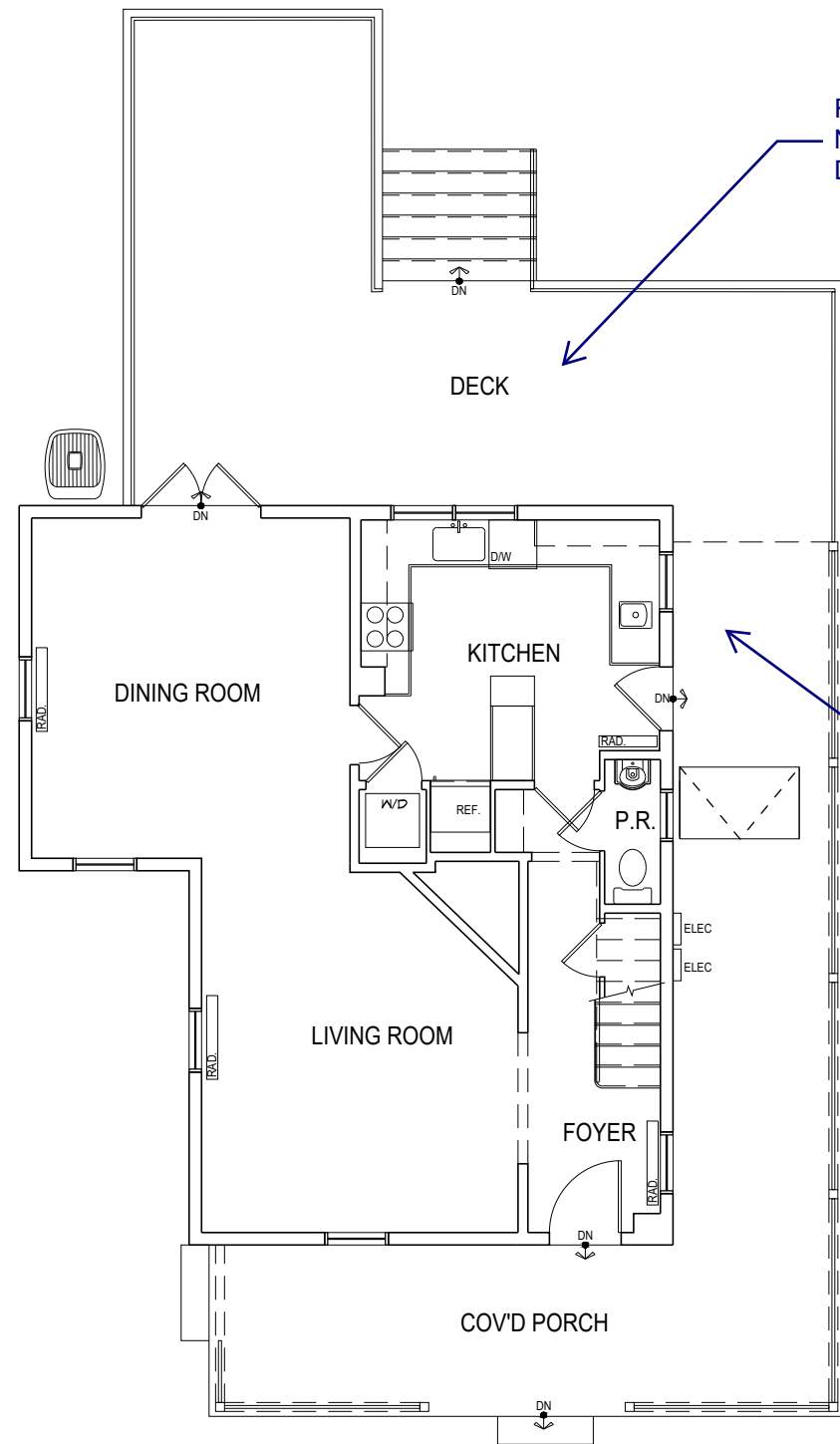




**3705 UNDERWOOD ST**  
 (FORMERLY DOUGLAS STREET)  
 R-60 ZONE  
 LOT 11, BLOCK 3  
 LOT RECORDED JULY 9, 1894  
 FRONT SETBACK: 25'  
 SIDE SETBACKS: 7' EA SIDE  
 REAR SETBACK: 20'  
 LOT COVERAGE: 35% MAX  
 (2,187.5 SF)  
 18.1% EXG. (1,134 SF)  
 24.4% PROPOSED (1,528 SF)







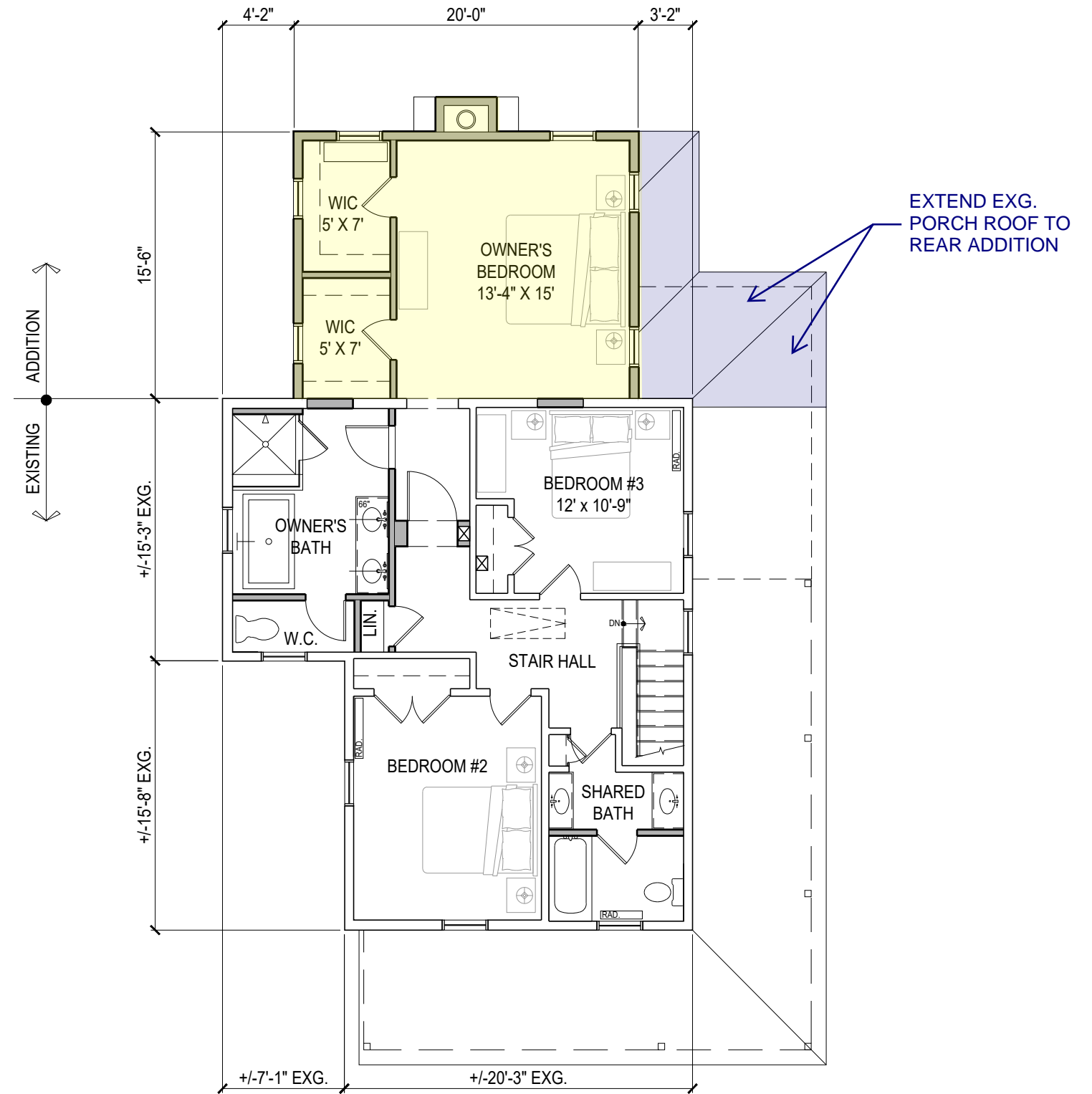
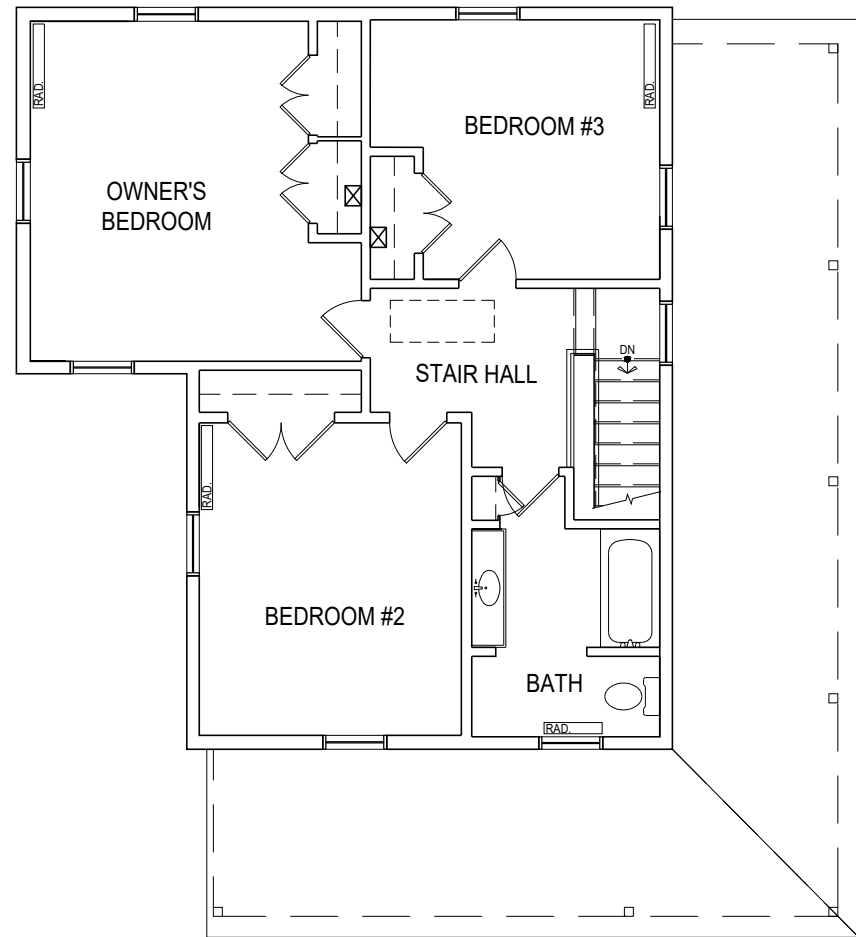
**1** EXG. FIRST FLOOR PLAN  
Scale: 1/8"=1'-0"

734 SF FIN. +  
400 SF COV'D PORCH &  
400 SF DECK

**2** PROP. FIRST FLOOR PLAN  
Scale: 1/8"=1'-0"

734 SF FIN. EXG. +  
462 SF FIN NEW +  
335 SF EXG. COV'D PORCH &  
90 SF DECK (1,196 SF FIN.)

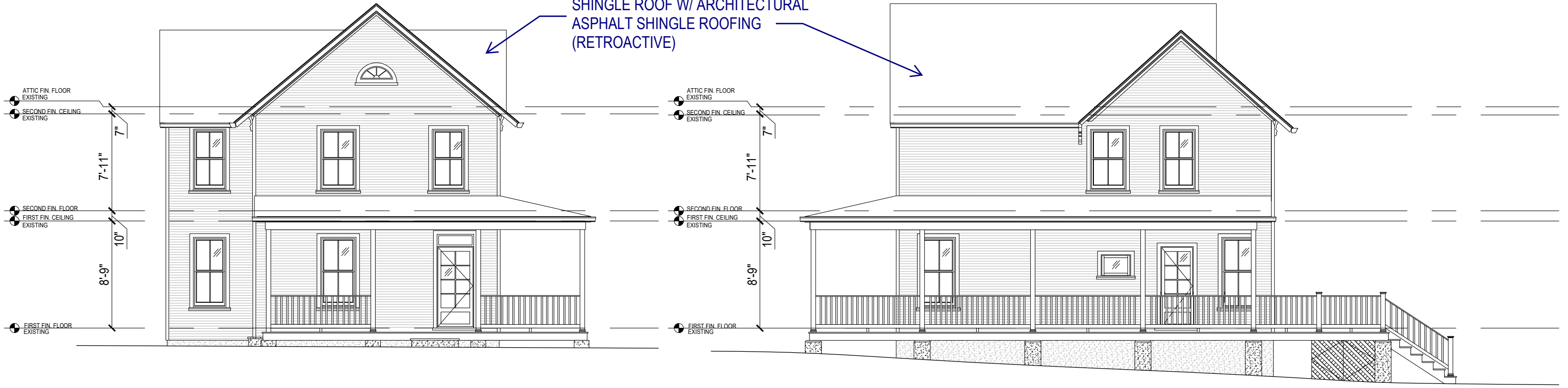




**1** EXG. SECOND FLOOR PLAN 734 SF FIN.  
Scale: 1/8"=1'-0"

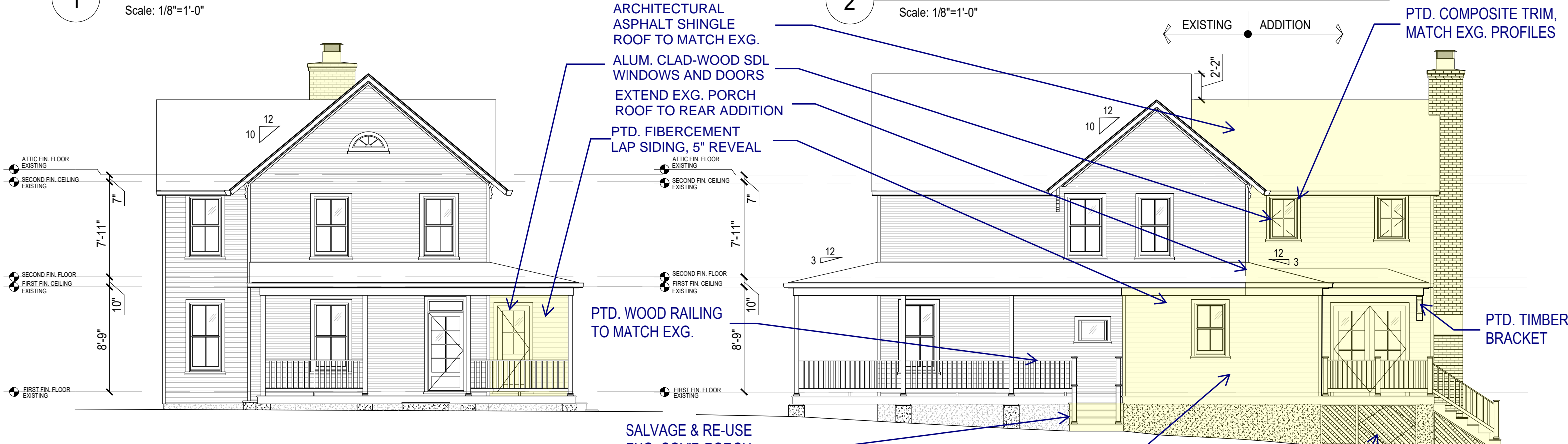
**2** PROP. SECOND FLOOR PLAN 734 SF FIN. EXG. + 310 SF FIN NEW  
Scale: 1/8"=1'-0"

REPLACE EXG. 3-TAB ASPHALT SHINGLE ROOF W/ ARCHITECTURAL ASPHALT SHINGLE ROOFING (RETROACTIVE)



1 EXISTING FRONT ELEVATION  
Scale: 1/8"=1'-0"

2 EXISTING RIGHT ELEVATION  
Scale: 1/8"=1'-0"



1 FRONT ELEVATION  
Scale: 1/8"=1'-0"

2 RIGHT ELEVATION  
Scale: 1/8"=1'-0"

RENZ RESIDENCE

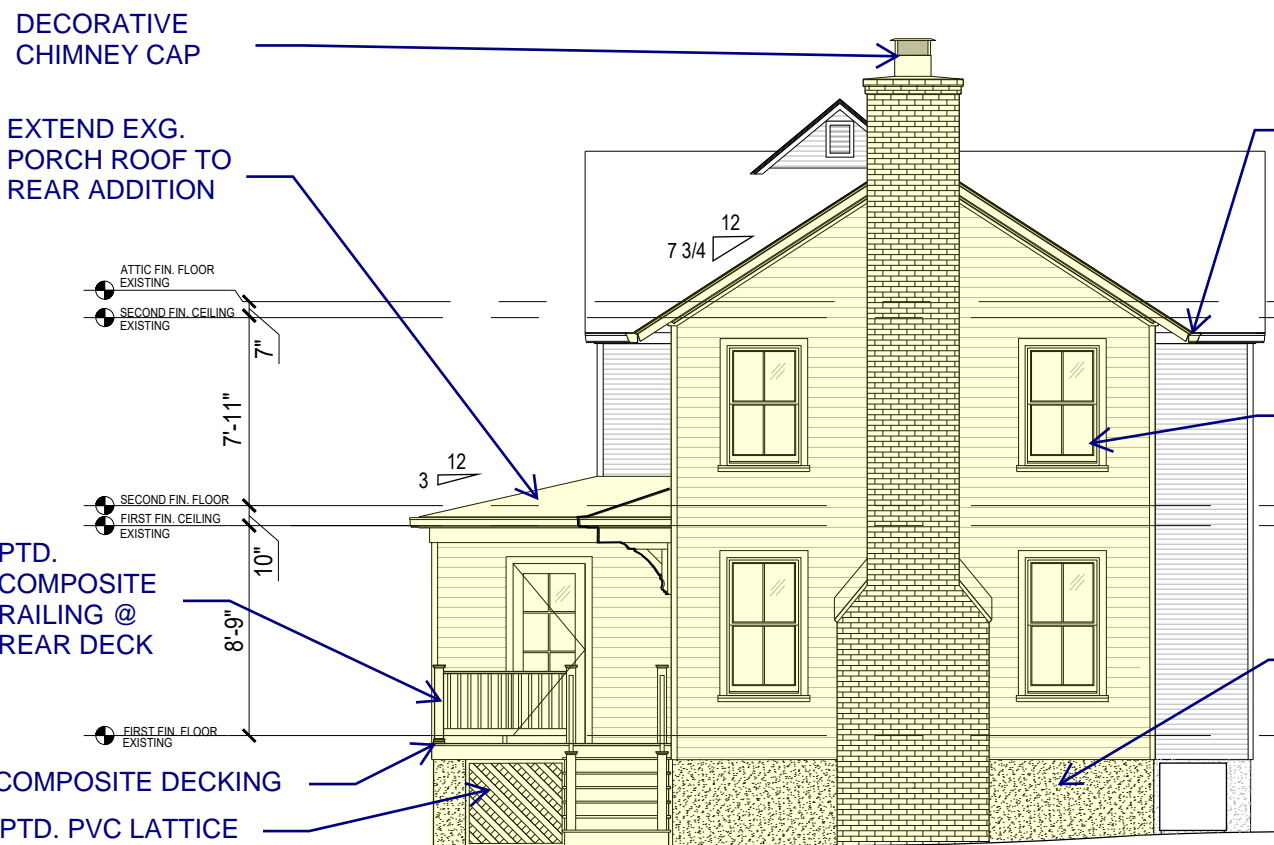




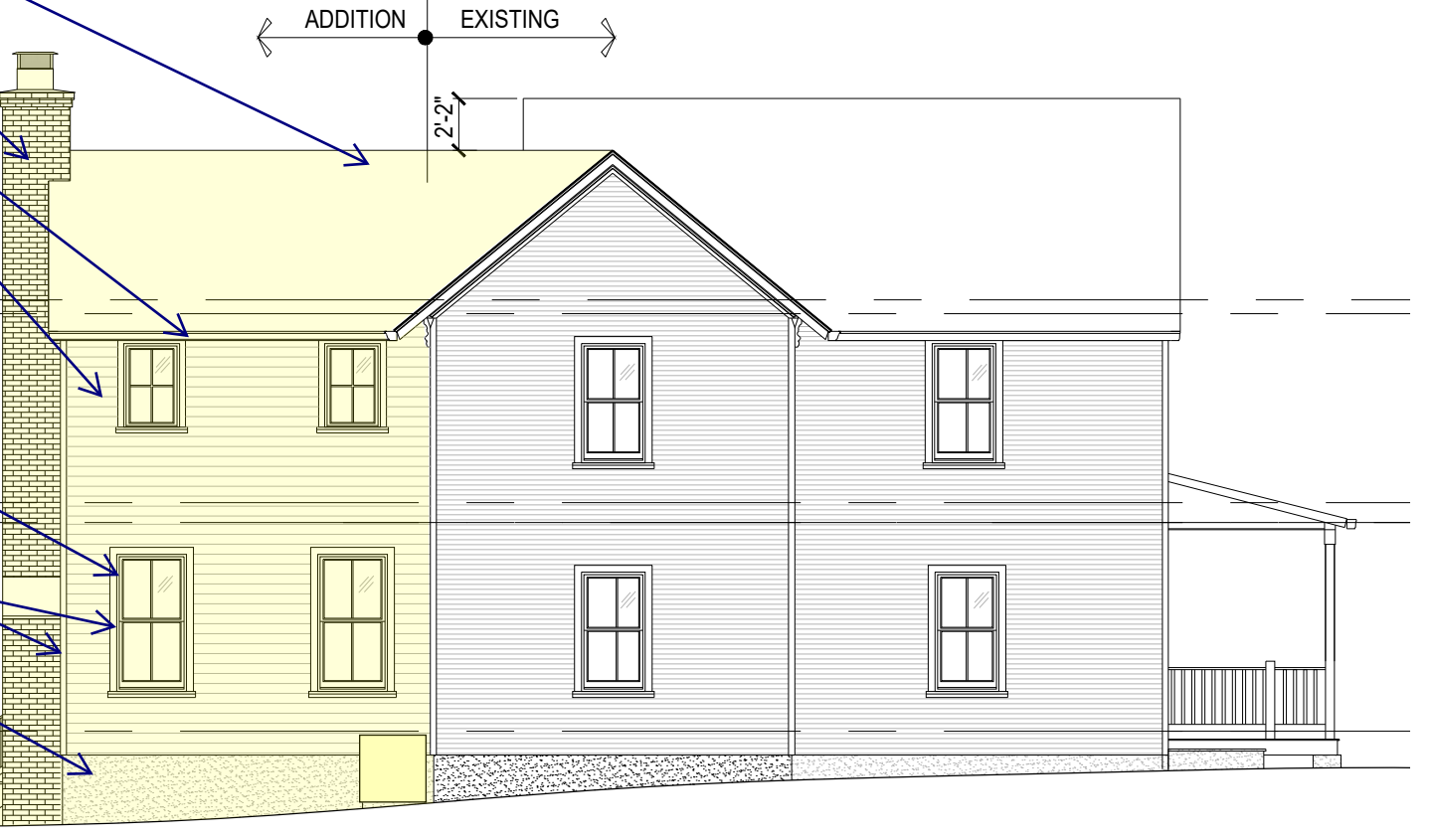


**1** EXISTING REAR ELEVATION  
Scale: 1/8"=1'-0"

**2** EXISTING LEFT ELEVATION  
Scale: 1/8"=1'-0"



- ARCHITECTURAL ASPHALT SHINGLE ROOF TO MATCH EXG.
- THINBRICK CHIMNEY
- PTD. MTL GUTTERS & DOWNSPOUTS TO MATCH EXG.
- PTD. FIBERCEMENT LAP SIDING, 5" REVEAL
- ALUM. CLAD-WOOD SDL WINDOWS AND DOORS
- PTD. COMPOSITE TRIM
- PARGED CONC. FOUNDATION



**1** REAR ELEVATION  
Scale: 1/8"=1'-0"

**2** LEFT ELEVATION  
Scale: 1/8"=1'-0"

- DECORATIVE CHIMNEY CAP
- EXTEND EXG. PORCH ROOF TO REAR ADDITION
- PTD. COMPOSITE RAILING @ REAR DECK
- COMPOSITE DECKING
- PTD. PVC LATTICE

**RENZ RESIDENCE**



GTM ARCHITECTS

# HardiePlank®

## HardiePlank® Lap Siding Product Description

HardiePlank® lap siding is factory-primed fiber-cement lap siding available in a variety of styles and textures. Please see your local James Hardie® product dealer for product availability. HardiePlank lap siding comes in 12-ft. lengths. Nominal widths from 5 1/4 in. to 12 in. create a range of exposures from 4 in. to 10 3/4 in.

HardiePlank lap siding is also available with ColorPlus® Technology as one of James Hardie's prefinished products. ColorPlus® Technology is a factory applied, oven-baked finish available on a variety of James Hardie siding and trim products. See your local dealer for details and availability of products, colors, and accessories.

The HZ5® product line is right at home in climates with freezing temperatures, seasonal temperature variations, snow and ice. HZ5® boards are the result of our generational evolution of our time-tested products. We've evolved our substrate composition to be specifically designed to perform in conditions found in these climates. To ensure that its beauty matches its durability, we've engineered the surface for higher performance, giving it superior paint adhesion and moisture resistance. In addition, we've added a drip edge to the HardiePlank® HZ5® lap siding product to provide improved water management in conditions specific to HZ5® climates.



**Cedarmill®**



**Smooth**



**Beaded Cedarmill®**



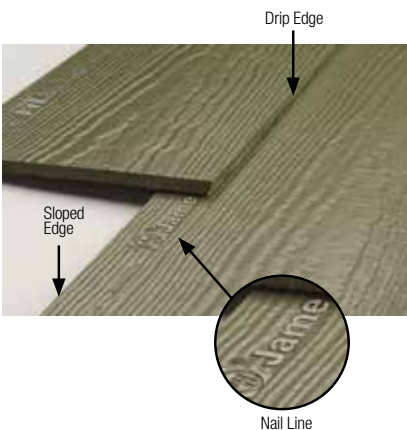
**Beaded Smooth**



**Colonial Roughsawn**



**Colonial Smooth**





# HardiePlank®

Thickness 5/16 in  
Length 12 ft planks

## SELECT CEDARMILL® & SMOOTH

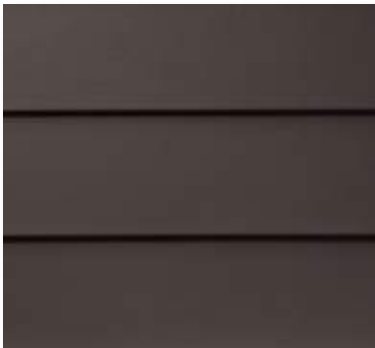
	Width	5.25 in*	6.25 in	7.25 in	8.25 in
Exposure		4 in	5 in	6 in	7 in
Prime Pcs/Pallet		360	308	252	230
ColorPlus Pcs/Pallet		324	280	252	210
Pcs/Sq		25.0	20.0	16.7	14.3

## SELECT CEDARMILL®



	Width	5.25 in*	6.25 in	7.25 in	8.25 in
STATEMENT COLLECTION™					✓
DREAM COLLECTION™		✓	✓	✓	✓
PRIME		✓	✓	✓	✓

## SMOOTH



	Width	5.25 in*	6.25 in	7.25 in	8.25 in
STATEMENT COLLECTION™					✓
DREAM COLLECTION™		✓	✓	✓	✓
PRIME		✓	✓	✓	✓

## BEADED CEDARMILL®

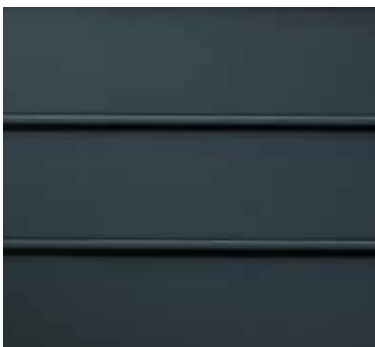


## BEADED CEDARMILL® & BEADED SMOOTH

Width	8.25 in
Exposure	7 in
ColorPlus Pcs/Pallet	210
Pcs/Sq	14.3

STATEMENT COLLECTION™	_____
DREAM COLLECTION™	✓
PRIME	_____

## BEADED SMOOTH

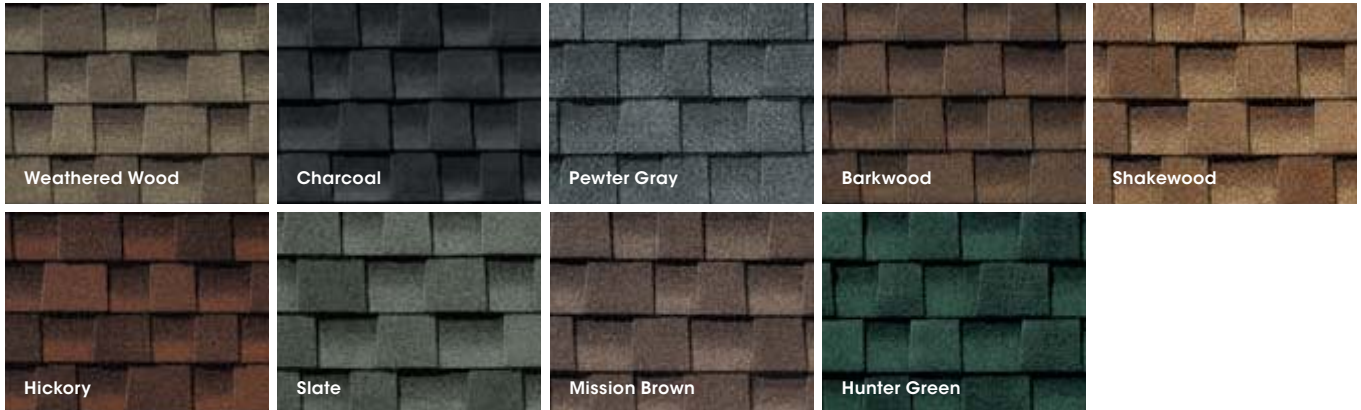


\*5.25 in widths not available in Virginia District for HZ5® product zones.

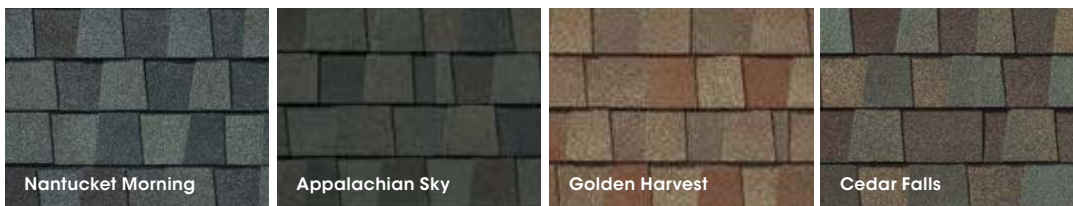
# Color Availability



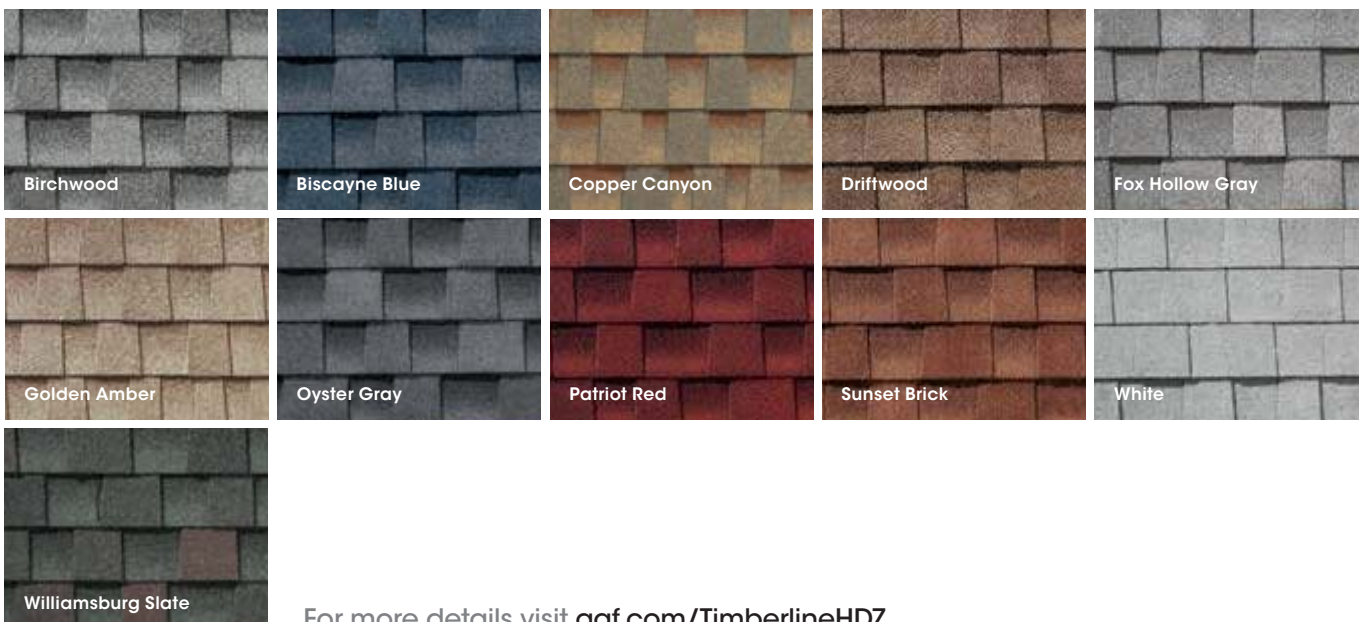
## Nationally Available Colors



## Harvest Blend Colors



## Regionally Available Colors (See next page for details.)



For more details visit [gaf.com/TimberlineHDZ](http://gaf.com/TimberlineHDZ)

Note: It is difficult to reproduce the color clarity and actual color blends of these products. Before selecting your color, please ask to see several full-size shingles.



# TimberTex® and TimberCrest® Premium Ridge Cap Shingles



Hip & Ridge Cap Shingles accentuate the natural beauty of your architectural shingle roof. They're the perfect finishing touch that helps defend against leaks at the hips and ridges. [gaf.com/ridgecaps](http://gaf.com/ridgecaps)



TimberTex® Premium Ridge Cap Shingles



TimberCrest® Premium SBS-Modified Ridge Cap Shingles

TimberTex® and TimberCrest® Premium Ridge Cap Shingles are designed to complement the color of your Timberline® Shingles. To ensure the closest color consistency for your roof, ask your contractor to use genuine TimberTex® or TimberCrest® Premium Ridge Cap Shingles.<sup>1</sup>

- Accentuate the beauty of your newly installed shingle roof
- Protect against leaks and blow-offs at the hip and ridge areas of your roof
- Complement the color of your GAF Shingles with hip and ridge cap shingles manufactured by GAF
- 25-year StainGuard Plus™ Algae Protection Limited Warranty<sup>2</sup> against blue-green algae discoloration uses GAF Time-Release Algae-Fighting Technology to help protect your ridge cap shingles from unsightly stains.

## Also available<sup>1</sup>



Seal-A-Ridge®



<sup>1</sup> These products are not available in all areas. See [gaf.com/ridgecapavailability](http://gaf.com/ridgecapavailability) for details.

<sup>2</sup> 25-year StainGuard Plus™ Algae Protection Limited Warranty against blue-green algae discoloration is available only on products sold in packages bearing the StainGuard Plus™ logo. See *GAF Shingle & Accessory Limited Warranty* for complete coverage and restrictions and qualifying products.

# Trim

Designed to be used in non-load-bearing applications, TruExterior Trim is suitable for ground and masonry contact and moisture-prone areas, which makes it ideal for exterior trim applications such as fascia, door trim, soffits, rake boards and a variety of other applications. There is no need to prime ends or field cuts. Plus, it can be painted any color. TruExterior Trim accepts common high-quality, exterior-grade fasteners and can be installed using standard woodworking tools and methods.







5/8 Trim Sizes		1X Trim Sizes		5/4 Trim Sizes		2X Trim Sizes	
Nominal	Actual	Nominal	Actual	Nominal	Actual	Nominal	Actual
—	—	—	—	—	—	2 x 2	1-1/2" x 1-1/2"
—	—	1 x 3	3/4" x 2-1/2"	5/4 x 3	1" x 2-1/2"	—	—
5/8 x 4	5/8" x 3-1/2"	1 x 4	3/4" x 3-1/2"	5/4 x 4	1" x 3-1/2"	2 x 4	1-1/2" x 3-1/2"
—	—	1 x 5	3/4" x 4-1/2"	5/4 x 5	1" x 4-1/2"	—	—
5/8 x 6	5/8" x 5-1/2"	1 x 6	3/4" x 5-1/2"	5/4 x 6	1" x 5-1/2"	2 x 6	1-1/2" x 5-1/2"
5/8 x 8	5/8" x 7-1/4"	1 x 8	3/4" x 7-1/4"	5/4 x 8	1" x 7-1/4"	2 x 8	1-1/2" x 7-1/4"
5/8 x 10	5/8" x 9-1/4"	1 x 10	3/4" x 9-1/4"	5/4 x 10	1" x 9-1/4"	2 x 10	1-1/2" x 9-1/4"
5/8 x 12	5/8" x 11-1/4"	1 x 12	3/4" x 11-1/4"	5/4 x 12	1" x 11-1/4"	2 x 12	1-1/2" x 11-1/4"

TruExterior Trim is reversible with woodgrain on one side and a smooth finish on the reverse. Available in a 16' length.

**Reversible Smooth/Woodgrain Finish**

**BOARD-AND-BATTEN SIDING**

Whether a Modern Farmhouse design or creating accents on a gable, board-and-batten is one of the hottest trends in home exterior design. And it's easy to create the board-and-batten look using just TruExterior Trim.



*TruExterior Trim comes pre-primed and does require paint.*



# Beadboard

Including single and double profiles, TruExterior Beadboard is ideal for porch ceilings, soffits and decorative wall applications, and allows for a variety of installations, as it can be attached in either parallel or perpendicular directions.

Its “tongue-and-groove” design results in a clean look that can be reversed to offer a contemporary “V-groove” appearance.



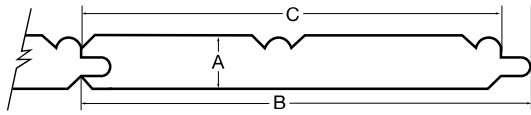
Pictured: V-Groove Pattern





Pictured: Beaded Pattern

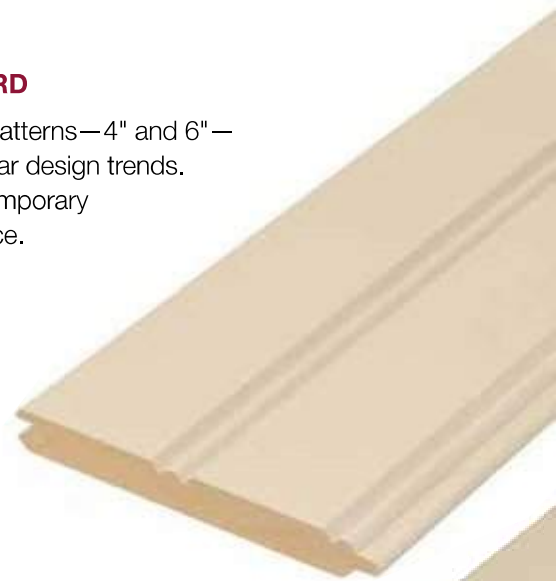
Nominal Size	Actual Thickness (A)	Actual Width (B)	Reveal (C)
5/8 x 4	5/8"	3-15/32"	3-5/32"
5/8 x 6	5/8"	5-5/16"	4-15/16"



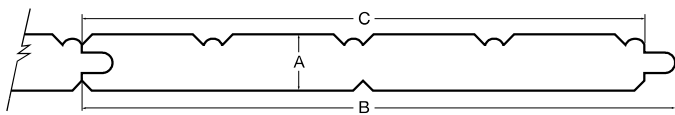
### SINGLE BEADBOARD

Two distinct beaded patterns—4" and 6"—to suit the most popular design trends. Reversible for a contemporary “V-Groove” appearance.

Smooth Finish



Nominal Size	Actual Thickness (A)	Actual Width (B)	Reveal (C)
5/8 x 8	5/8"	6-9/16"	6-7/32"
5/8 x 12	5/8"	10-1/4"	9-29/32"



### DOUBLE BEADBOARD

The same appearance as the single-profile products, but with twice the coverage. Reversible for a contemporary “V-Groove” appearance.

Smooth Finish



*TruExterior Beadboard comes pre-primed and does require paint.*

# Accessories

TruExterior Siding & Trim Accessories make it easy to create polished, professional-looking siding and trim installations. Decorative yet functional, the poly-ash accessories are designed to go where other materials can't, making them the perfect complement to cedar, fiber cement and other traditional siding products, as they are suitable for ground and masonry contact.



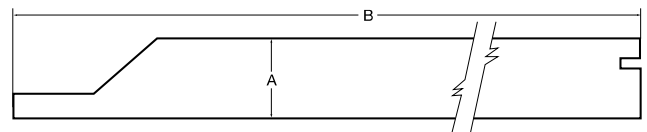
## SKIRT BOARD

Provides a decorative yet functional way to create the required clearance between siding and grade.

### Available Finishes:

- Smooth
- Woodgrain

Nominal Size	Actual Thickness (A)	Actual Width (B)
1 x 6	3/4"	5-1/2"
1 x 8	3/4"	7-1/4"
5/4 x 6	1"	5-1/2"
5/4 x 8	1"	7-1/4"



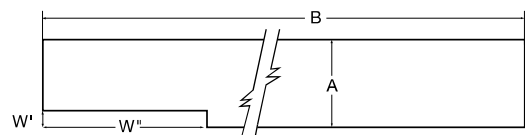
## WINDOW POCKET RABBETED TRIM

The rabbeted groove helps trim to sit flush over the window's nailing flange, eliminating the need for cuts or shims.

### Available Finishes:

- Smooth
- Woodgrain

Nominal Size	Actual Thickness (A)	Actual Width (B)	Window Pocket (W' x W'')
5/4 x 4	1"	3-1/2"	3/16" x 1-7/8"
5/4 x 6	1"	5-1/2"	3/16" x 1-7/8"
5/4 x 8	1"	7-1/4"	3/16" x 1-7/8"



*TruExterior Accessories come pre-primed and do require paint.*





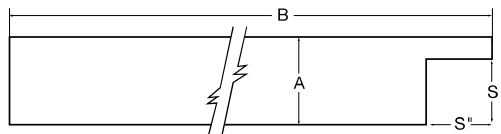
Nominal Size	Actual Thickness (A)	Actual Width (B)	Siding Pocket (S' x S'')
5/4 x 3	1"	2-1/2"	3/4" x 3/4"
5/4 x 4	1"	3-1/2"	3/4" x 3/4"
5/4 x 5	1"	4-1/2"	3/4" x 3/4"
5/4 x 6	1"	5-1/2"	3/4" x 3/4"
5/4 x 8	1"	7-1/4"	3/4" x 3/4"

### SIDING POCKET RABBETED TRIM

Perfect for end wall terminations, this trim with a 3/4" siding pocket accepts all TruExterior Siding profiles.

#### Available Finishes:

- Smooth
- Woodgrain



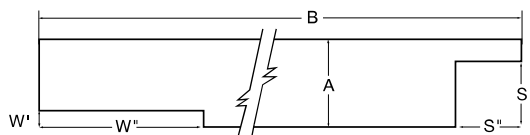
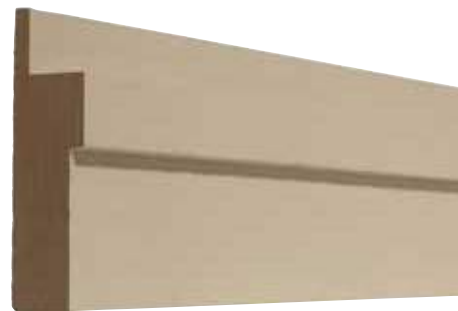
Nominal Size	Actual Thickness (A)	Actual Width (B)	Window Pocket (W' x W'')	Siding Pocket (S' x S'')
5/4 x 4	1"	3-1/2"	3/16" x 1-7/8"	3/4" x 3/4"
5/4 x 6	1"	5-1/2"	3/16" x 1-7/8"	3/4" x 3/4"
5/4 x 8	1"	7-1/4"	3/16" x 1-7/8"	3/4" x 3/4"

### WINDOW AND SIDING POCKET RABBETED TRIM

The ultimate accessory to build a neat, professional-looking window surround.

#### Available Finishes:

- Smooth
- Woodgrain



*TruExterior Accessories come pre-primed and do require paint.*

# TruExterior Siding & Trim Reference Guide

## SUSTAINABILITY

The sustainable properties of TruExterior Siding & Trim are a result of a combination of proprietary polymer chemistry and highly refined, recovered coal combustion products (fly ash), which are endorsed by the U.S. Green Building Council (USGBC) for use in construction materials.

- Contains a minimum of 70% recycled content—verified by SCS Global Services



## CODE LISTINGS

TruExterior Siding & Trim have undergone rigorous internal and third-party testing to provide building officials, architects, contractors, specifiers, designers and others with reliable, high-performing products.

- California's Wildland-Urban Interface (WUI) listed—Beadboard and Trim
- Intertek CCRR-0300

## Trim

5/8 Trim Sizes		1X Trim Sizes		5/4 Trim Sizes		2X Trim Sizes	
Nominal	Actual	Nominal	Actual	Nominal	Actual	Nominal	Actual
—	—	—	—	—	—	2 x 2	1-1/2" x 1-1/2"
—	—	1 x 3	3/4" x 2-1/2"	5/4 x 3	1" x 2-1/2"	—	—
5/8 x 4	5/8" x 3-1/2"	1 x 4	3/4" x 3-1/2"	5/4 x 4	1" x 3-1/2"	2 x 4	1-1/2" x 3-1/2"
—	—	1 x 5	3/4" x 4-1/2"	5/4 x 5	1" x 4-1/2"	—	—
5/8 x 6	5/8" x 5-1/2"	1 x 6	3/4" x 5-1/2"	5/4 x 6	1" x 5-1/2"	2 x 6	1-1/2" x 5-1/2"
5/8 x 8	5/8" x 7-1/4"	1 x 8	3/4" x 7-1/4"	5/4 x 8	1" x 7-1/4"	2 x 8	1-1/2" x 7-1/4"
5/8 x 10	5/8" x 9-1/4"	1 x 10	3/4" x 9-1/4"	5/4 x 10	1" x 9-1/4"	2 x 10	1-1/2" x 9-1/4"
5/8 x 12	5/8" x 11-1/4"	1 x 12	3/4" x 11-1/4"	5/4 x 12	1" x 11-1/4"	2 x 12	1-1/2" x 11-1/4"

## Beadboard

Single		Double	
Nominal Size	Actual	Nominal	Actual
5/8 x 4	5/8" x 3-15/32"	5/8 x 8	5/8" x 6-9/16"
5/8 x 6	5/8" x 5-5/16"	5/8 x 12	5/8" x 10-1/4"

## Accessories

Skirt Board		Window Pocket Rabbeted Trim		Siding Pocket Rabbeted Trim		Window and Siding Pocket Rabbeted Trim	
Nominal	Actual	Nominal	Actual	Nominal	Actual	Nominal	Actual
1 x 6	3/4" x 5-1/2"	5/4 x 4	1" x 3-1/2"	5/4 x 3	1" x 2-1/2"	5/4 x 4	1" x 3-1/2"
1 x 8	3/4" x 7-1/4"	5/4 x 6	1" x 5-1/2"	5/4 x 4	1" x 3-1/2"	5/4 x 6	1" x 5-1/2"
5/4 x 6	1" x 5-1/2"	5/4 x 8	1" x 7-1/4"	5/4 x 5	1" x 4-1/2"	5/4 x 8	1" x 7-1/4"
5/4 x 8	1" x 7-1/4"			5/4 x 6	1" x 5-1/2"		
				5/4 x 8	1" x 7-1/4"		

**Note:** All TruExterior Trim, Beadboard, and Accessory products are available in a standard 16' length.



# WHITE OR READY-TO-PAINT TRIM

## AZEK OFFERS STYLE-BASED SOLUTIONS

### Ready-to-Install Classic AZEK® Trim: Crisp, Bright White

The ultimate exterior matchmaker, AZEK Trim comes ready to install in brilliant white with two finish options (smooth and woodgrain) to complement and instantly elevate any surrounding. AZEK Classic Trim can be painted — but because paint is not required for a clean, finished look, installations go faster.



### Ready-to-Paint PaintPro Enhanced Trim: The Best Substrate for Paint

If your project requires painting trim, AZEK PVC Trim with PaintPro technology is the perfect choice. Ready to paint. No sanding. No priming. PaintPro Trim maintains the long-lasting, low-maintenance benefits of PVC trim while adding enhanced paintability. Paint bonds securely for lasting adhesion that resists splits, chips, and flakes.



\*PaintPro must be painted within 180 days of installation.  
Visit [AZEKexteriors.com/products/trim/trim-boards/paintpro-trim](https://www.azekexteriors.com/products/trim/trim-boards/paintpro-trim)

# AZEK TRIM OUTPERFORMS WOOD TRIM

AZEK Trim is made from 100% engineered polymer to provide a durable, long-lasting building material that is far more resistant to the elements than wood. No sealants are needed on surfaces or cut ends; every inch of our trim is equally protected against moisture. With superior uniformity, durability, workability, beauty, and much more, AZEK PVC Trim is the better choice for exteriors than wood.

	AZEK PVC TRIM	WOOD TRIM
<b>UNIFORMITY</b>		
Square edges	★	★
No knots, no waste; every inch usable	★	
<b>DURABILITY</b>		
Will not rot, split, splinter, delaminate, warp, or swell excessively from moisture	★	
Impervious to moisture and insect-resistant	★	
Suitable for ground and masonry contact	★	
Lifetime limited warranty	★	
Handles easily without breakage	★	★
<b>WORKABILITY</b>		
Use standard woodworking tools	★	★
Safely milled, shaped, and molded without special safety equipment	★	★
Can be heat-formed	★	
Fasten close to edge without predrilling	★	
<b>BEAUTY</b>		
Readily accepts paint*	★	★
Can be crafted for unique applications	★	★
<b>EXTRAS</b>		
Available in trim boards, sheets, cornerboards, beadboard, and mouldings	★	
Special labor-saving solution profiles available	★	

★ ALL PRODUCTS MEET CRITERIA  
 † SOME PRODUCTS MEET CRITERIA

\*PaintPro must be painted within 180 days of installation.  
 Visit [AZEKexteriors.com/products/trim/trim-boards/paintpro-trim](https://www.azekexteriors.com/products/trim/trim-boards/paintpro-trim).



GET FREE TRIM SAMPLES WITH  
PAINTPRO® TECHNOLOGY



### CLASSIC AZEK

Available in smooth or woodgrain finish

### PAINTPRO TECHNOLOGY

Reversible (one side smooth, one side woodgrain)



All AZEK Trim is long-lasting, moisture-resistant, and keeps its appearance with very little maintenance. Easily mill and router our trim, or heat form it before painting, for exquisite customized or curved applications. Classic AZEK Trim's brilliant white complements any exterior while AZEK Trim with PaintPro® was made to be painted.

## PROTECTIVE FILM KEEPS CLASSIC WHITE TRIM CLEAN

Classic AZEK Trim with protective film is available for smooth and woodgrain finishes. To ensure it looks as beautiful on your client's home as it does when it leaves our facilities, a protective film preserves AZEK Trim's crisp white semi-matte finish.

NOMINAL THICKNESS	NOMINAL WIDTH						
	4	5	6	8	10	12	16
5/4	SW	SW	SW	SW	SW	SW	SW
4/4	SW	SW	SW	SW	SW	SW	SW
5/8	SW	SW	SW	SW	SW	SW	SW

The film protects AZEK Trim through every production phase:

- Shipping
- Repackaging
- Installation
- Storage
- Handling

AZEK Trim with protective film should be kept dry prior to installation. Do not expose film to direct sunlight for extended periods. Protective film can be removed prior to, during, or immediately after installation.



## AZEK® TRIM

### 8/4 X THICKNESS

NOMINAL	ACTUAL	18'
8/4 x 4	1 1/2" x 3 1/2"	S
8/4 x 6	1 1/2" x 5 1/2"	S
8/4 x 8	1 1/2" x 7 1/2"	S
8/4 x 10	1 1/2" x 9 1/2"	S
8/4 x 12	1 1/2" x 11 1/2"	S

### 6/4 X THICKNESS

NOMINAL	ACTUAL	20'
6/4 x 4	1 1/2" x 3 1/2"	W
6/4 x 6	1 1/2" x 5 1/2"	W
6/4 x 8	1 1/2" x 7 1/2"	W
6/4 x 10	1 1/2" x 9 1/2"	W
6/4 x 12	1 1/2" x 11 1/2"	W

### 5/4 X THICKNESS

NOMINAL	ACTUAL	12'	16'	18'	20'
5/4 x 4	1" x 3 1/2"	SW	P	SW	SW
5/4 x 5	1" x 4 1/2"	SW		SW	SW
5/4 x 6	1" x 5 1/2"	SW	P	SW	SW
5/4 x 8	1" x 7 1/2"	SW	P	SW	SW
5/4 x 10	1" x 9 1/2"	SW	P	SW	SW
5/4 x 12	1" x 11 1/2"	SW	P	SW	SW
5/4 x 16	1" x 15 1/2"	SW	P	SW	SW

### 4/4 X THICKNESS

NOMINAL	ACTUAL	12'	16'	18'
1 x 2	3/4" x 1 1/2"		P	SW
1 x 3	3/4" x 2 1/2"		P	
1 x 4	3/4" x 3 1/2"	SW	P	SW
1 x 5	3/4" x 4 1/2"	SW		SW
1 x 6	3/4" x 5 1/2"	SW	P	SW
1 x 8	3/4" x 7 1/2"	SW	P	SW
1 x 10	3/4" x 9 1/2"	SW	P	SW
1 x 12	3/4" x 11 1/2"	SW	P	SW
1 x 16	3/4" x 15 1/2"	SW	P	SW

### 5/8 X THICKNESS

ACTUAL	12'	18'
5/8" x 3 1/2"	SW	SW
5/8" x 5 1/2"	SW	SW
5/8" x 7 1/2"	SW	SW
5/8" x 9 1/2"	SW	SW
5/8" x 11 1/2"	SW	SW
5/8" x 15 1/2"	SW	SW



PaintPro Sheet Sheet ATM Sheet

## AZEK SHEET

Applications over 16" wide are easy with AZEK Sheet. Use Sheet for bay windows, dormers, and raised panels.

SHEET	8'	10'	12'	18'	20'
ACTUAL					
3/8" x 4'	SW	SW	S	S	
1/2" x 4'	SWP	SWP	SP	S	
5/8" x 4'	S	S	S	S	
3/4" x 4'	SWP	SWP	S	S	
1" x 4'	S	S	S	S	S

## AZEK-TO-MILL (ATM)

ATM's thick profile makes it an ideal material for fabrication. Its consistent density offers a superior product for milling operations.

AZEK-TO-MILL	8'	10'	12'	18'	20'
ACTUAL					
1 1/2" x 9 1/2"				S	
1 1/2" x 3 1/2"				S	
1 1/2" x 5 1/2"				S	
1 1/2" x 7 1/2"				S	
1 1/2" x 9 1/2"				S	
1 1/2" x 11 1/2"				S	
1 1/2" x 48" Sheet	S				
1 1/2" x 48" Sheet	S	S	S		S



# AZEK® MOULDING

With over 30 different profiles to mix and match, you can customize any build with a distinctive look.



## THE MOST BEAUTIFUL, HIGH-PERFORMANCE MOULDING LINE AVAILABLE

With crisp, architectural details reminiscent of premium wood mouldings, high-performance AZEK® Moulding will last beautifully without the maintenance hassles associated with wood. Backed by AZEK's promise of high quality and lasting performance, AZEK Moulding will retain a like-new appearance despite the tests of time and weather. AZEK Moulding offers greater stability and predictability when fastening. Unlike traditional wood moulding, AZEK Moulding resists moisture and insect damage and will not rot or split.

# CROWN PROFILES

Crown moulding profiles are typically decorative mouldings designed for use along the intersection of a wall or ceiling. They may be combined with other mouldings to create a built-up profile.

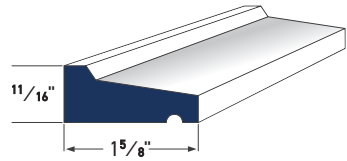
<p><b>3" CROWN AZM-52</b> LENGTH: 16'</p>	<p><b>4" CROWN AZM-49</b> LENGTH: 16'</p>	<p><b>5" CROWN AZM-47</b> LENGTH: 16'</p>	<p><b>6" CROWN AZM-45</b> LENGTH: 16'</p>
<p><b>8" CROWN AZM-43</b> LENGTH: 16'</p>	<p><b>COVE MOULDING AZM-80</b> LENGTH: 16'</p>	<p><b>BED MOULDING AZM-75</b> LENGTH: 16'</p>	<p><b>3 1/2" BED MOULDING AZM-28</b> LENGTH: 16'</p>
<p><b>IMPERIAL RAKE CROWN AZM-6937</b> LENGTH: 16'</p>	<p><b>RAMS CROWN AZM-6934</b> LENGTH: 16'</p>	<p><b>SOLID CROWN AZM-7954</b> LENGTH: 16'</p>	<p><b>CROSSHEAD PEDIMENT AZM-6216</b> LENGTH: 18'</p>

# DETAIL & SILL/DRIP PROFILES

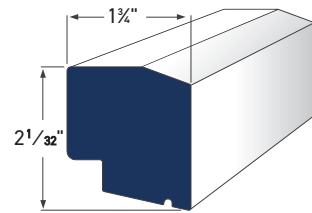
AZEK® Drip profiles can be used as a water table or brick ledge for separation and watershed against two different materials. AZEK Sill profiles shed water and offer architectural detail.



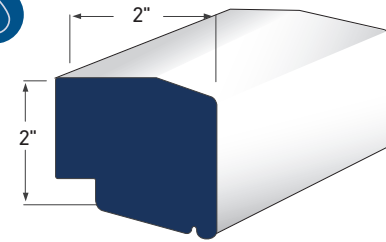
Denotes Water Management Drip Edge



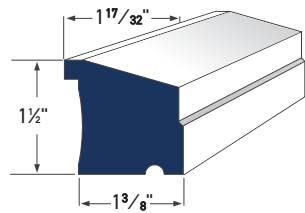
DRIP CAP AZM-197  
LENGTH: 16'



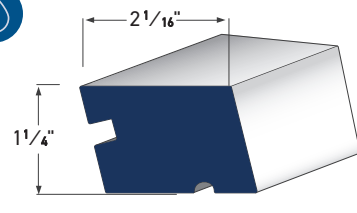
HISTORIC SILL AZM-6930  
LENGTH: 16'



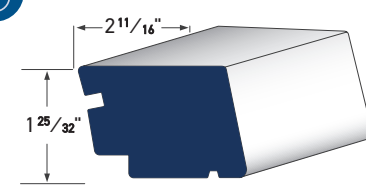
LARGE SILL NOSE AZM-7979  
LENGTH: 16'



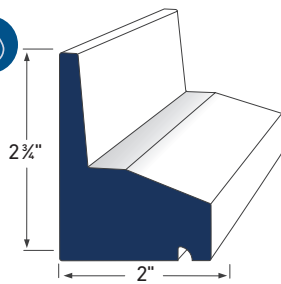
SUB SILL NOSE AZM-6933  
LENGTH: 16'



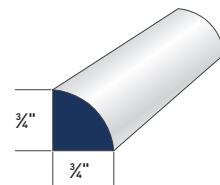
WINDOW SILL NOSE AZM-7974  
LENGTH: 12'



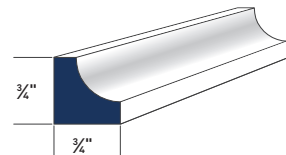
LARGE HISTORIC SILL AZM-7958  
LENGTH: 16'



WATER TABLE AZM-6935  
LENGTH: 18'



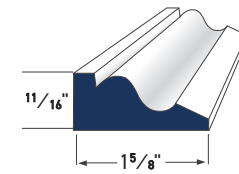
QUARTER ROUND AZM-105  
LENGTH: 16'



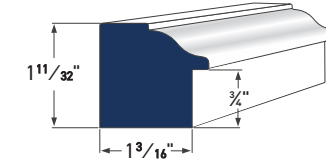
SCOTIA AZM-93  
LENGTH: 16'

# CASING PROFILES

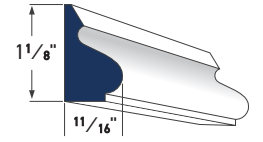
Use AZEK® Casing Profiles as decorative moulding against a wall, door, or window to create surrounds. Elevate your framing with style and durability.



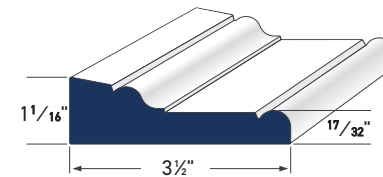
BAND MOULDING AZM-217  
LENGTH: 16'



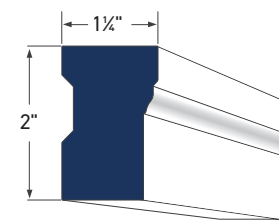
BACK BAND AZM-6931  
LENGTH: 16'



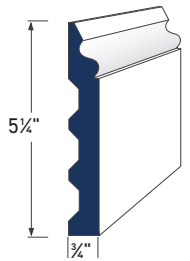
BASE CAP AZM-164  
LENGTH: 16'



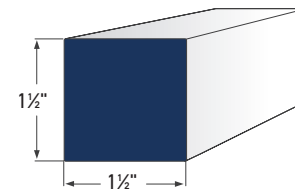
ADAMS CASING AZM-97  
LENGTH: 16'



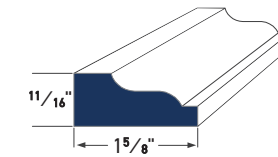
BRICK MOULD AZM-180  
LENGTHS: 16', 17' and 18\*\*



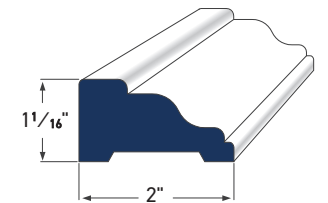
COLONIAL BASE CAP AZM-163  
LENGTH: 16'



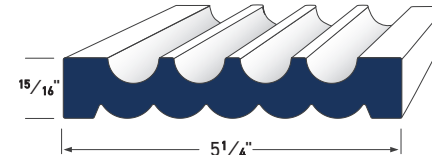
SQUARE PROFILE AZM-236  
LENGTH: 12'



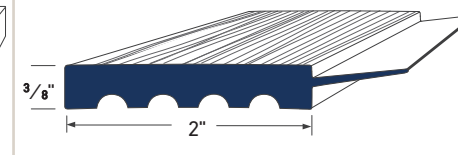
SHINGLE MOULD AZM-210  
LENGTH: 16'



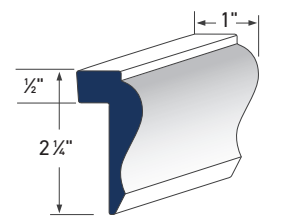
RAKE MOULDING AZM-287  
LENGTH: 16'



FLUTED/REEDED AZM-606  
LENGTH: 16'



GARAGE DOOR THERMOSTOP  
AZM-6936 LENGTHS: 7', 9', and 16'



WAINSCOT CAP AZM-284  
LENGTH: 16'

\*\*18' Brick Mould (AZM-180) is available in full units only and cannot be ordered via the Pick & Pack program.





ACRE Decking is a sustainable, durable alternative with the genuine look and feel of real wood. ACRE is lightweight, strong, water-resistant and guaranteed not to rot or splinter.

ACRE is easy to cut, fasten without pre-drilling, rout, thermoform and accepts paint or stain without primer.

Best of all, ACRE is made without harming a single tree, in a zero-waste environment in the U.S.A. ACRE helps protect your home and our world.

### DECKING PROFILE DETAILS



Product Name	Nominal Size	Actual Thickness (A)	Actual Width (B)	Lengths
ACRE Grooved-Edge Decking	5/4" x 6"	15/16"	5.5"	8' to 20'
ACRE Square-Edge Decking	5/4" x 6"	15/16"	5.5"	8' to 20'

### AESTHETIC



### WORKS LIKE WOOD - BUT BETTER!

Paintable and stainable. No primer necessary

Easy to route, cut and sand in the field with regular wood working tools

Easy on tools. Minimal melting or static-charged dust

No harmful dust or residue

Pre-drilling not required. Screws and nails will not mushroom.

Uniform texture throughout and finish-ready, no need to seal or treat ends

### NATURAL BEAUTY

Genuine warm look and feel of wood

Natural-looking grain

Endless finish options with water-based paints or stains. See Coatings Guide for important information

Thermoform for folded corners, curves and creative shapes

Digitally print directly on ACRE's surface

## UNMATCHED DURABILITY

100% resistant to water, weather, rot and pests - even termites!

Guaranteed not to splinter or crack

Smooth screw application close to edges, and into sides without splitting

Suitable for ground and water contact

Sturdy, resists breakage and job site damage

Debris from cutting will fall and brush off surfaces and clothing (less static cling than traditional PVC)

Easy on tools when routing, cutting and screwing

Strong screw and nail retention. Superior bond with a wide range of glues and construction adhesives

No special maintenance or cleaning methods needed

Virtually no moisture absorption so paint lasts longer than on wood

Less expansion and contraction than competitive PVC products

Lightweight, yet strong and straight

## SUSTAINABLE INNOVATION

Made in the U.S.A.

100% tree-free

Upcycled natural fibers from discarded rice hulls, a rapidly renewable resource

Free of phenol, formaldehyde and adhesives

Zero-waste manufacturing

100% recyclable

### FIRST TIME USING ACRE PRODUCTS?

Visit our website for important Tech & Training Resources including our Coatings Guide.

ACRE contains PVC and requires coatings with a light reflective value (LRV) of 55 or greater to avoid heat build up or changes to physical properties.

Consult with Modern Mill for more information.



MODERN • MILL

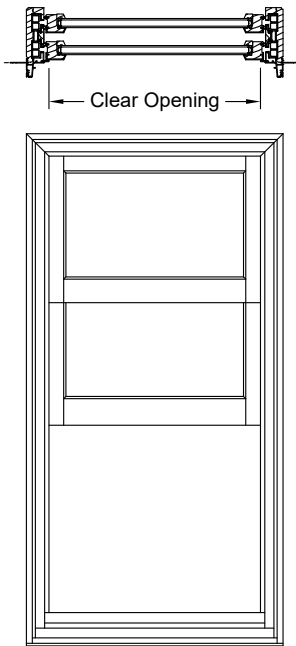
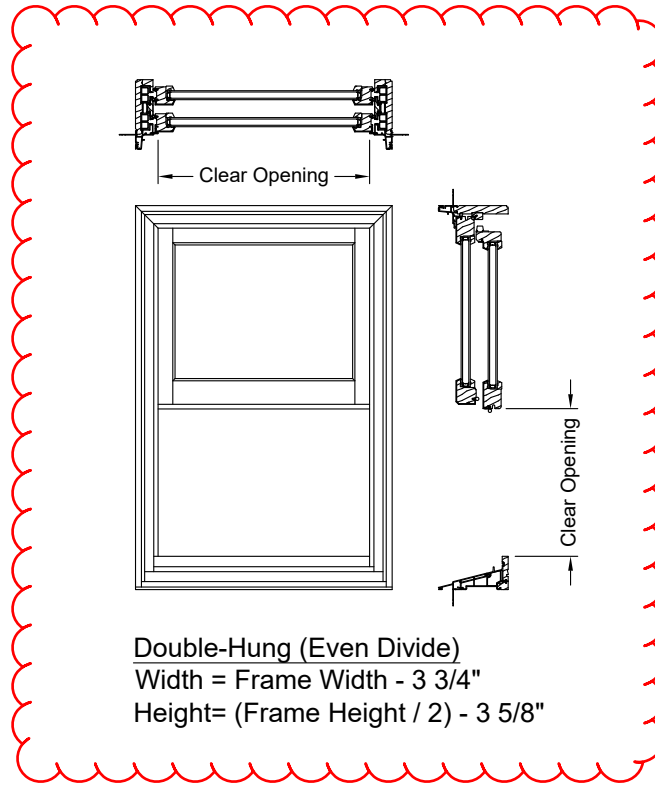
modern-mill.com

601-869-5050

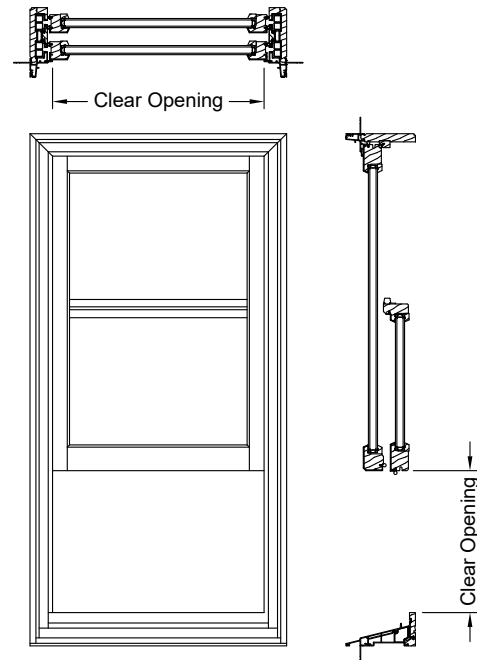
2023.12



## CLEAR OPENING LAYOUT

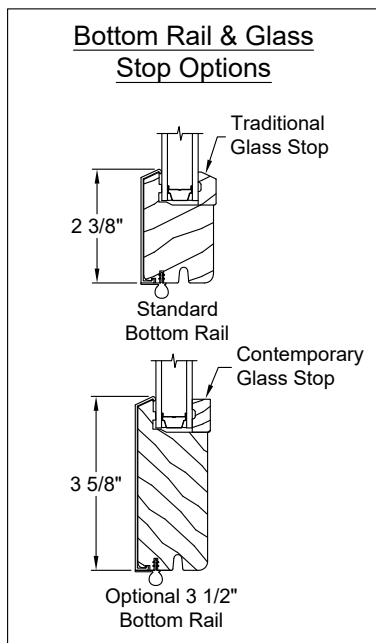
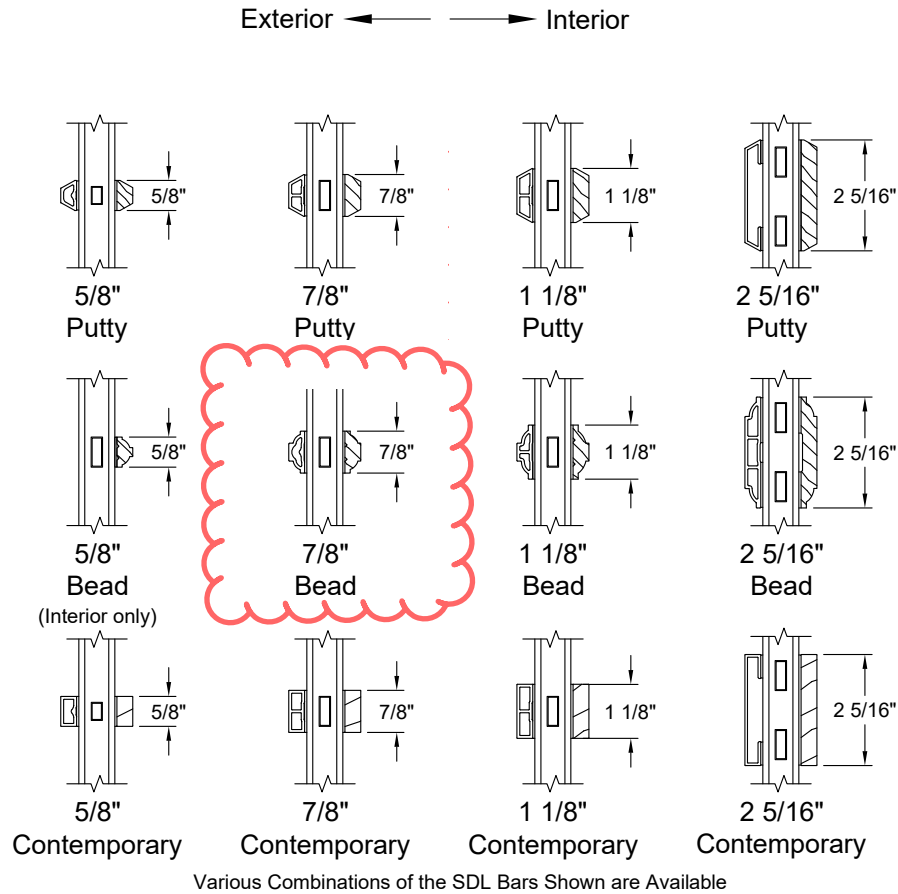


Cottage Double-Hung  
 Width = Frame Width - 3 3/4"  
 Height = (Frame Height / 2) - 8 5/32"

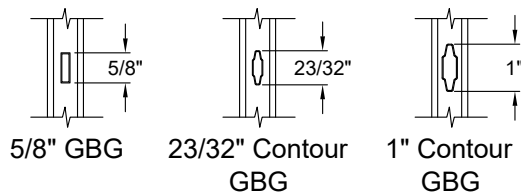


Reverse Cottage Double-Hung  
 Width = Frame Width - 3 3/4"  
 Height = (Frame Height / 2) - 7 29/32"

## GRID, BOTTOM RAIL & GLASS STOP OPTIONS

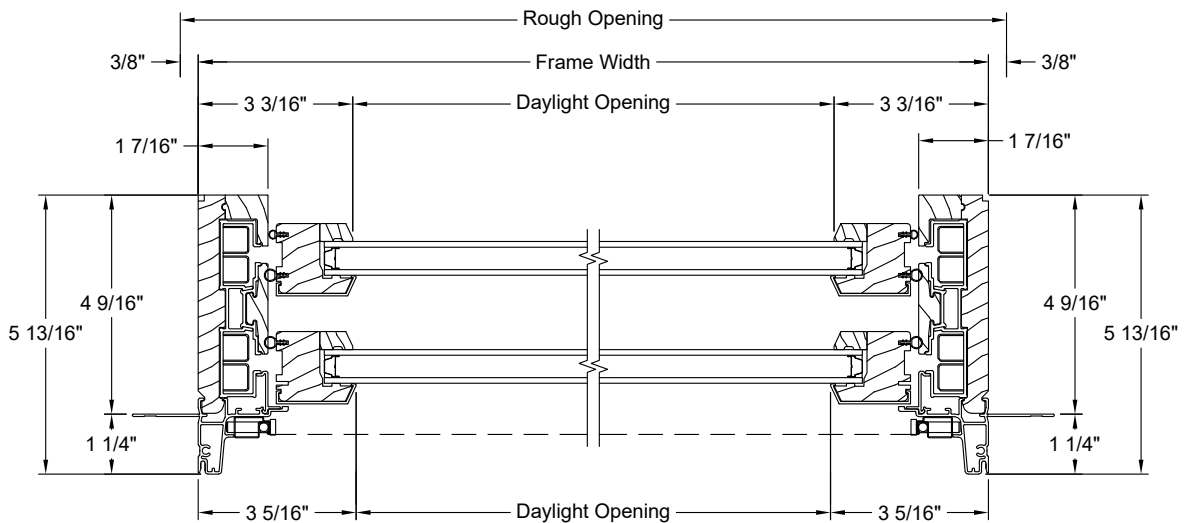
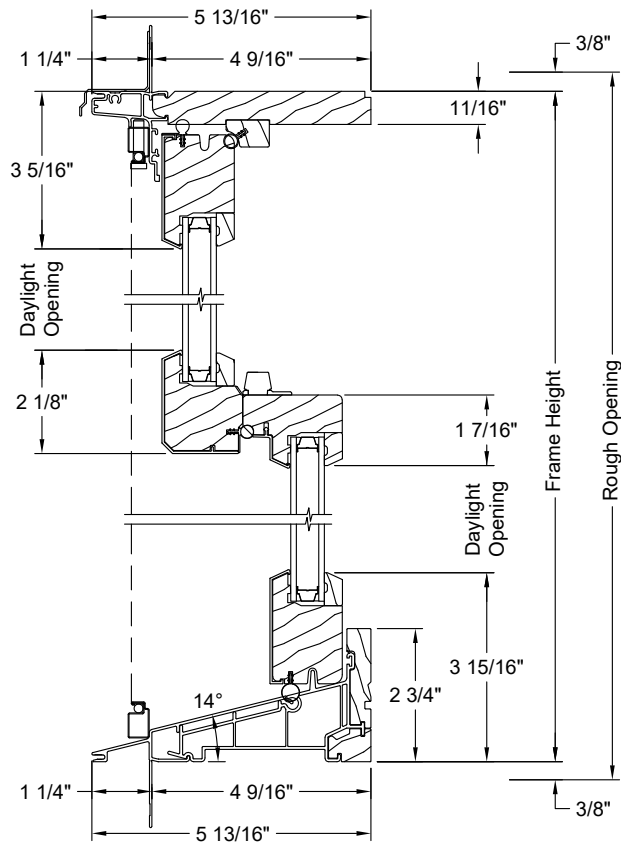
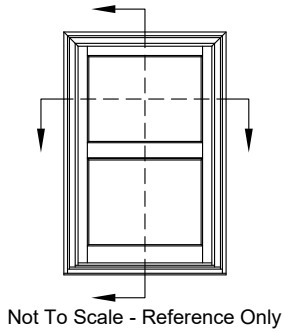


### GBG Options





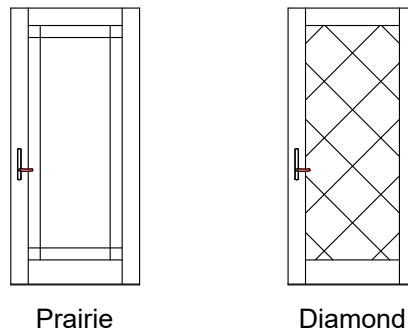
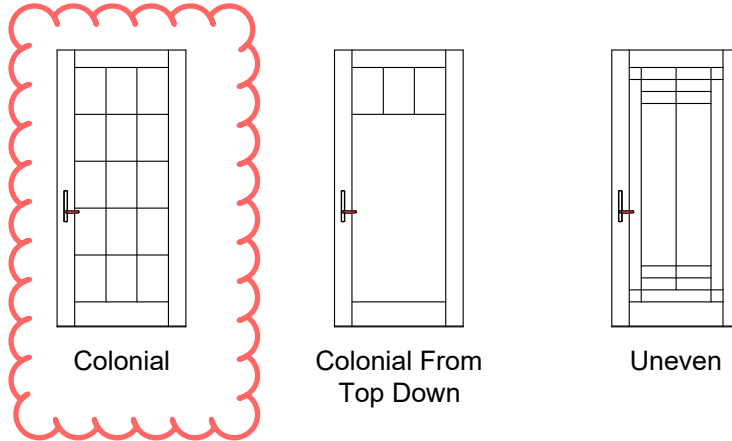
## OPERATOR SECTIONS



## GRID PATTERNS

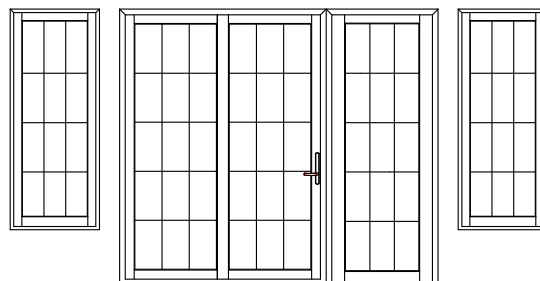
Siteline® Clad Wood Inswing Patio Doors are available with Grilles Between Glass (GBG), or Simulated Divided Lites (SDL) in various widths and styles. The standard grid patterns are shown below.

Special grid patterns can include a wide variety of straight line and radius patterns. Non-standard patterns are subject to factory approval.



### Bar Alignment

Alignment of bars from patio door to window is often required. SDL, GBG, and wood grilles may be specified with bars aligned.

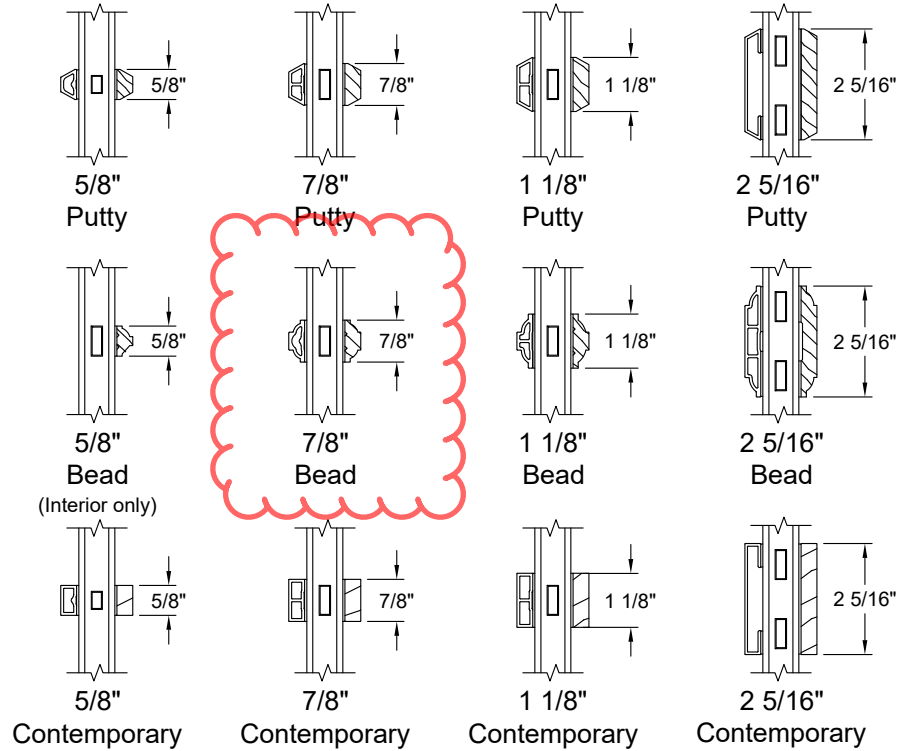




## GRID OPTIONS

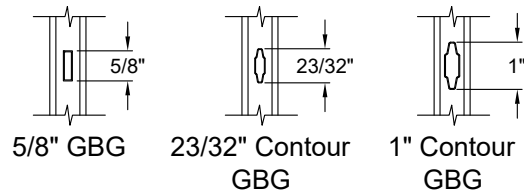
Exterior ← → Interior

### SDL Options

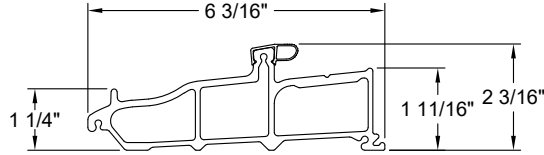


Various Combinations of the SDL Bars Shown are Available

### GBG Options

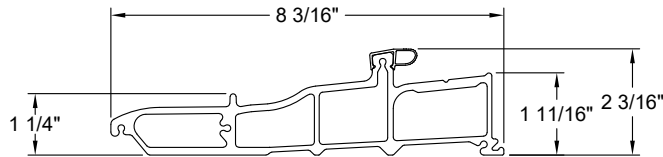


## SILL OPTIONS



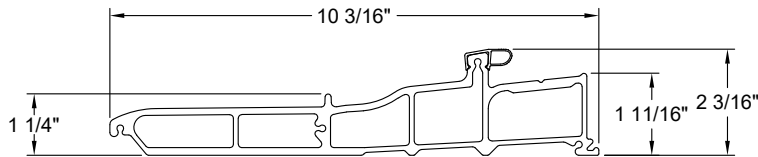
**4 9/16" Hydrolock™ Sill**

Used on jambs greater than or equal to 4 9/16" and less than 5 1/4"



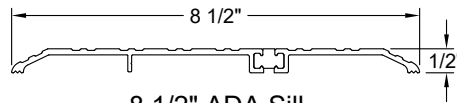
**6 9/16" Hydrolock™ Sill**

Used on jambs greater than or equal to 5 1/4" and less than 7 1/4"



**8 9/16" Hydrolock™ Sill**

Used on jambs greater than or equal to 7 1/4" and less than or equal to 9 1/4"

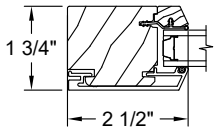


**8 1/2" ADA Sill**

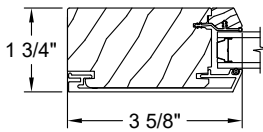
Used on ADA jambs greater than or equal to 4 9/16".  
Maximum jamb width with ADA sill is 5 5/16".

## STILE, BOTTOM RAIL, GLASS STOP & JAMB EXTENDER OPTIONS

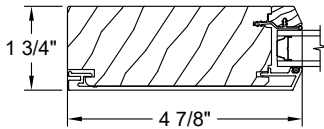
### Stile Options



Sidelite Stile

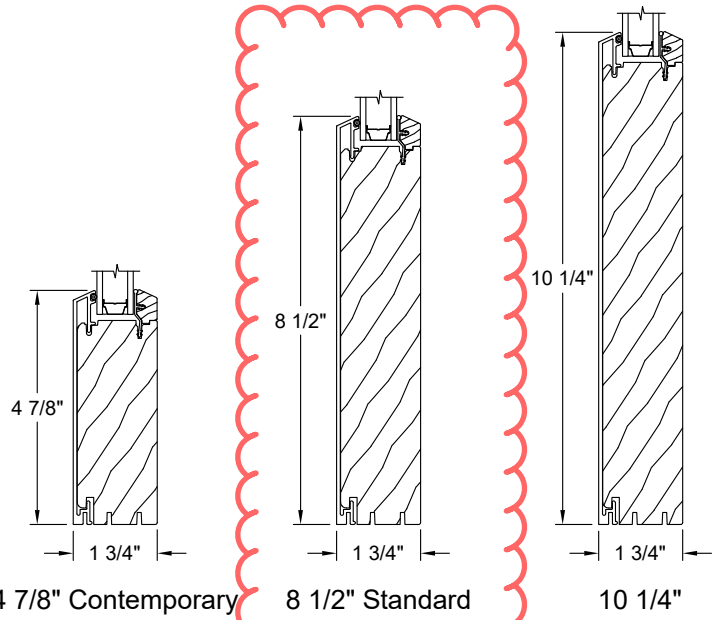


Narrow Stile



Wide Stile

### Bottom Rail Options

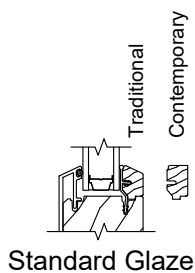


4 7/8" Contemporary

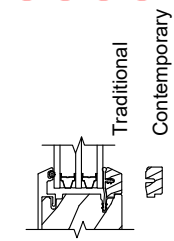
8 1/2" Standard

10 1/4"

### Glass Stop Options

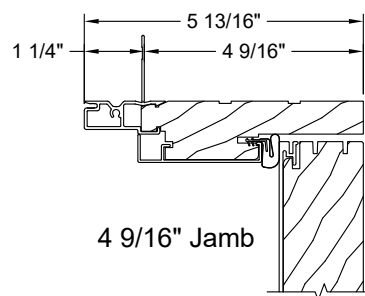


Standard Glaze

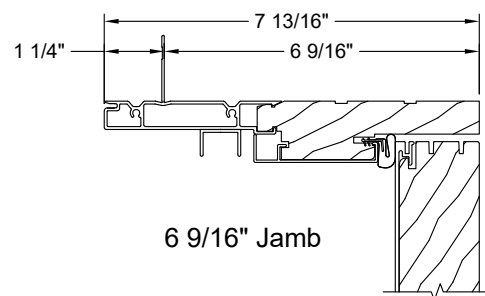


Triple Glaze

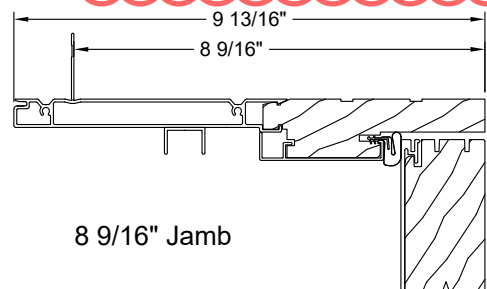
### Jamb Extender Options



4 9/16" Jamb



6 9/16" Jamb

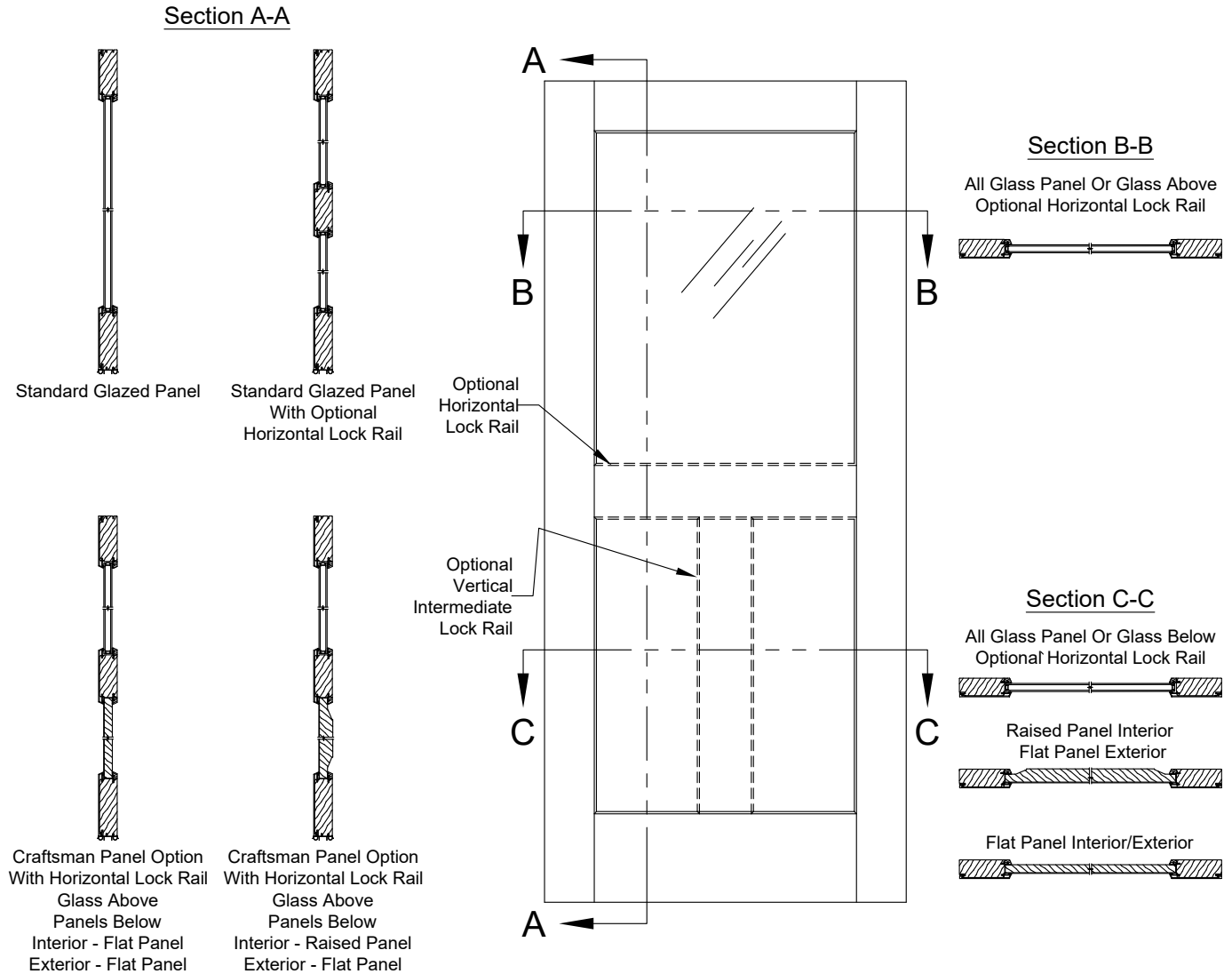


8 9/16" Jamb

Note: Triple Glazed units use different cladding and glass stops than standard units.

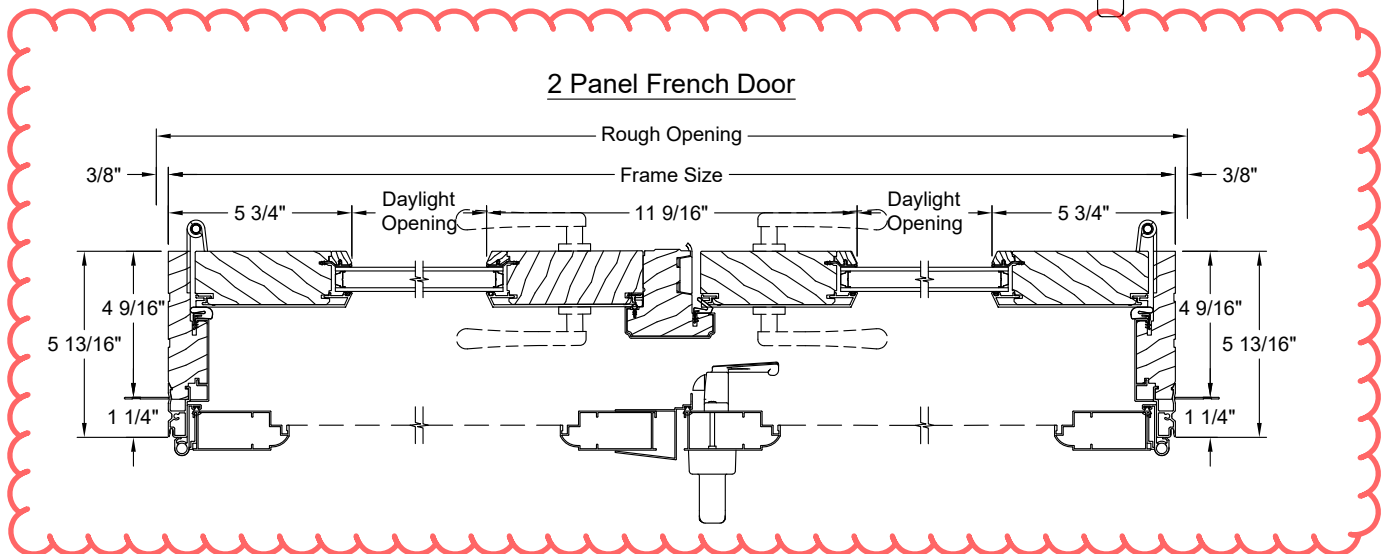
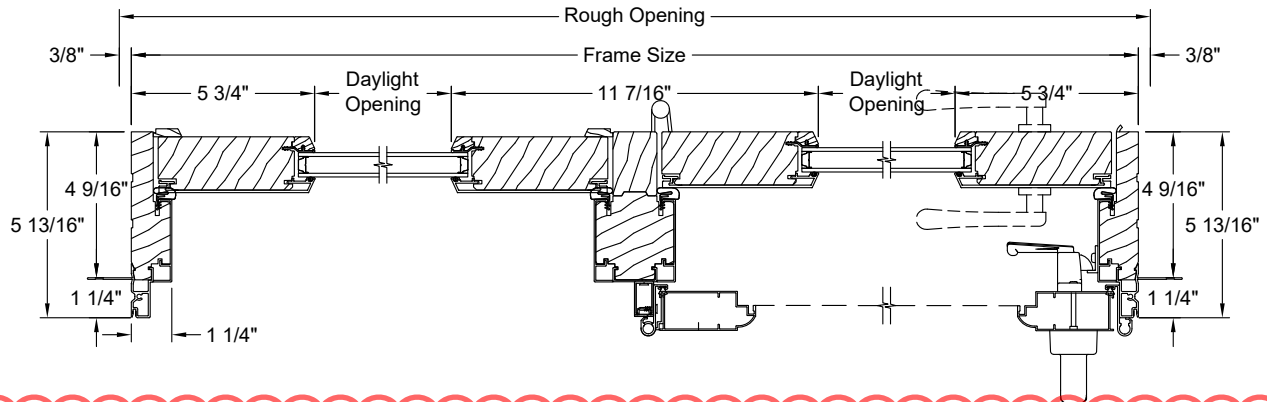
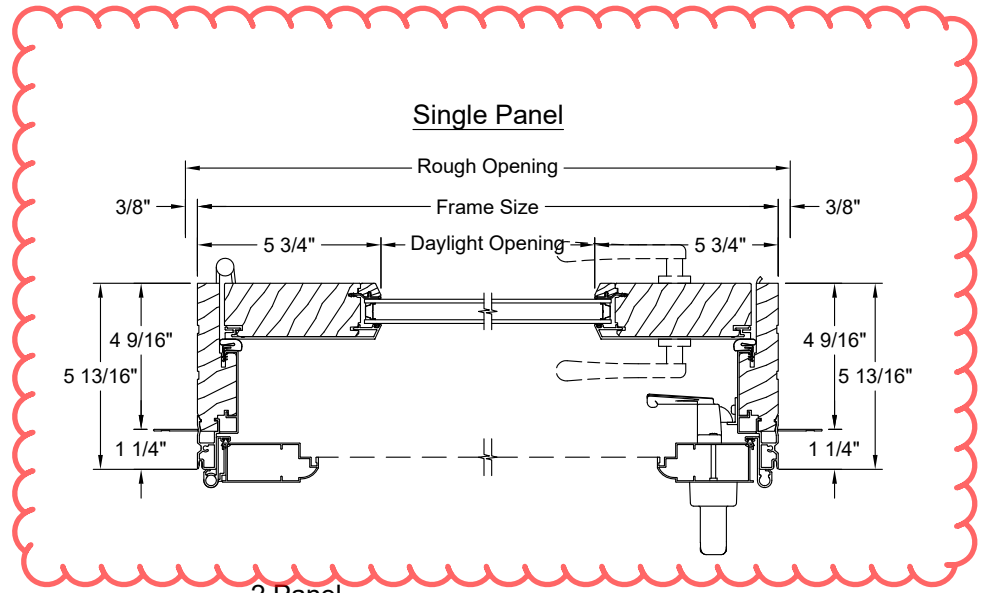
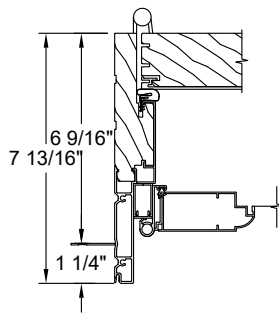


## RAISED PANEL OPTIONS



## HORIZONTAL OPERATOR SECTIONS - HINGED SCREEN

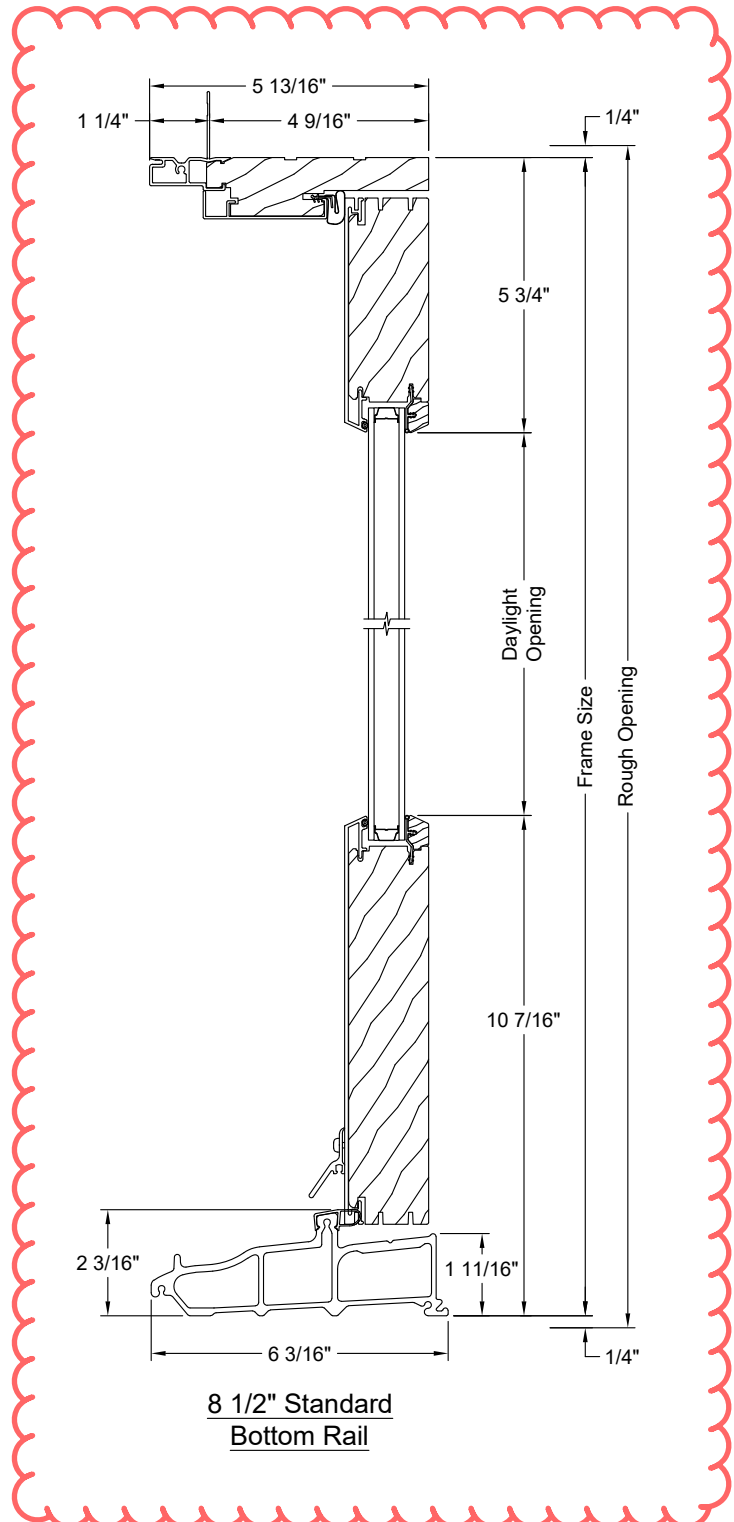
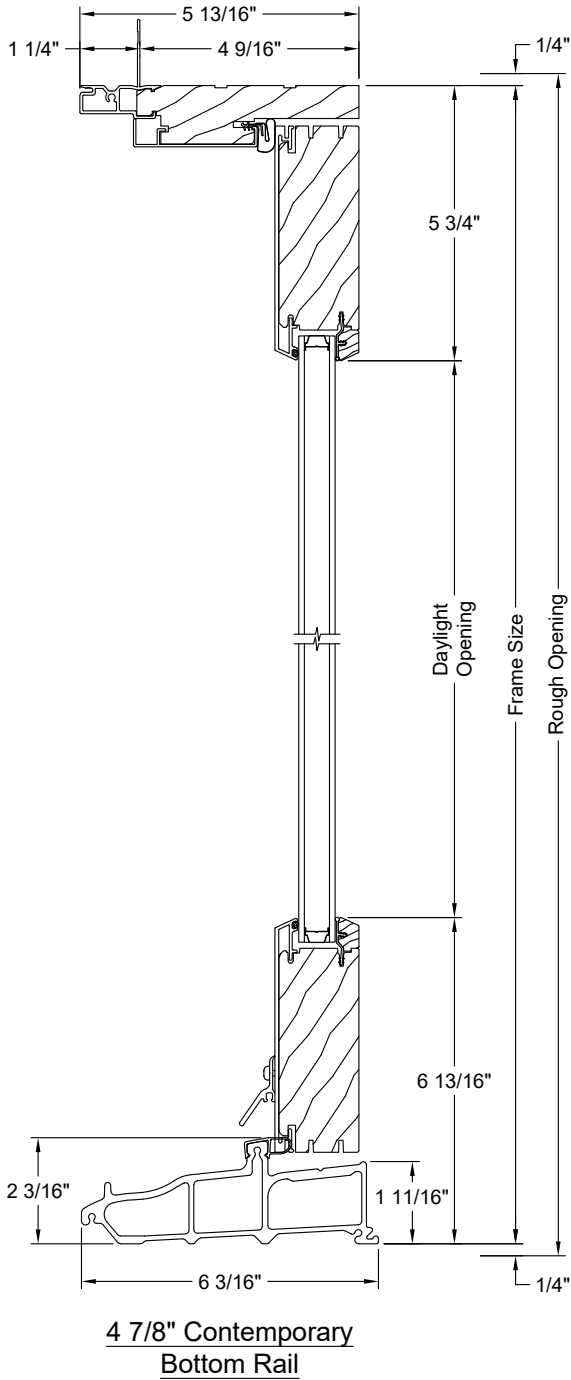
Jamb & head section  
for jambs 6 9/16" or  
greater.



**Notes:**

- Screen shown on wide stile units; other options are available.
- Sections shown for 4 9/16" jamb depth; sections vary for other depths.

## VERTICAL OPERATOR SECTIONS - CONTEMPORARY & STANDARD





# Hampton RS40 EXTRUDED RAIL



## An Economical Rail Solution with Performance Superior to Composite Railing



Hampton Flat with Chamfered Newel & Column Wraps

### UNIQUE HAMPTON RAIL FEATURES

- Standard kits ship with solid 1 1/4" square-edge balusters
- FSC Certified Mahogany Cap upgrade available for both hampton profiles!



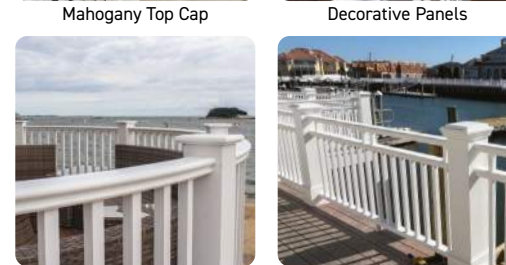
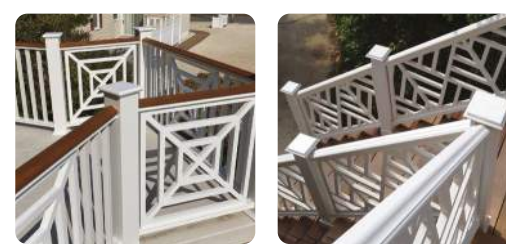
### RAIL ASSEMBLY JIG

Our reusable rail assembly jig is designed specifically to help reduce installation times and labor cost. The Assembly Jig makes it easier to align, center and space balusters.

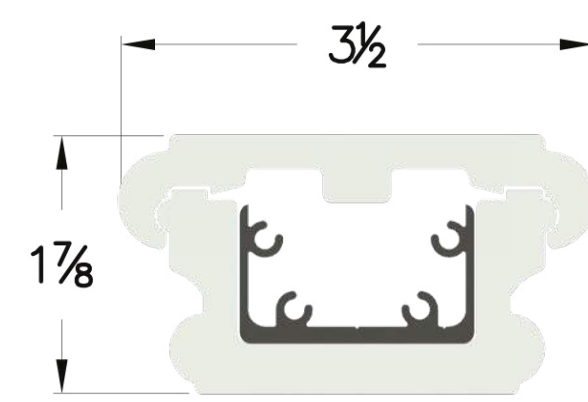
### LONGER, CODE COMPLIANT SPANS

Meets commercial requirements of International Building Code (IBC) and International Residential Code (IRC) for level spans up to 10 feet and stair spans up to 8 feet.

### POPULAR UPGRADES FOR HAMPTON:



Radius Rail 3-Line Rail  
Details For All Available Rail Upgrades Start On Page 16



### HAMPTON RS40350F Beverage Friendly Top

Hampton Flat is our most popular profile in a beverage-friendly detail. This profile is available as our standard Cellular PVC flat profile or a Mahogany flat profile upgrade.

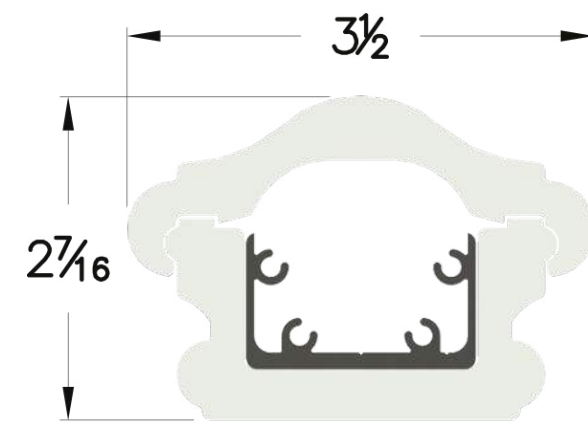
PRICE RANGE: \$ \$ \$ \$

Installation: ✕ ✕ ✕ ✕



RS40 Hampton Kits	6' Length	8' Length	10' Length	12' Length
36" Height	✓	✓	✓	✕
42" Height	✓	✓	✓	✕
Stair Application	✓	✓	✕	✕

 GET AN INSTANT QUOTE!  
INTEXMILLWORK.COM



### HAMPTON RS40350P Traditional Rail Style

Our Peaked Hampton profile brings an added touch of historic detail with its rounded design. This profile is available as our standard Cellular PVC peaked profile or a Mahogany peaked profile upgrade.

PRICE RANGE: \$ \$ \$ \$

INSTALLATION: ✕ ✕ ✕ ✕





# Radius Rail RAIL UPGRADES

**Guaranteed Custom Radius Fit with Our Radius Rail Template Kit!**



Nautilus 20500 3-Line Rail with Radius Bends, Chamfered 2" Balusters, Recessed Panel Newel Wraps

**CUSTOM IN-HOUSE RADIUS BENDS**

We are proud to offer in-house Radius Rail arcs from 6ft, 8ft, and 10ft rail spans. For stairway applications 6ft and 8ft spans are available

**THE INTEX GUARANTEE**

We guarantee the Radius Rail fit when the INTEX Radius Rail Template Kit is used. Call 856-293-4100 to order a Radius Rail Template Kit!

**RADIUS RAIL AVAILABILITY**

	Level Rail			Stair Rail	
	6'	8'	10'	6'	8'
<b>Liberty</b>	✓	✓	✓	✓	✓
<b>Hampton</b>	✓	✓	✓	✓	✓
<b>Providence</b>	✓	✓	✓	✓	✓
<b>Dartmouth</b>	✓	✓	✓	✓	✓
<b>Nautilus</b>	✓	✓	✓	✗	✗



**SCAN FOR VIDEO GALLERY!**  
Then scroll to the "Rail Templating" section for Radius Rail tutorials!

Background Image: Nautilus 20500 3-Line Rail with Radius Bends, Chamfered 2" Balusters, Recessed Panel Newel Wraps

# Gates RAIL UPGRADES

Gates for INTEX Rail Systems are reinforced with welded aluminum frames, crafted with no open cells and are available using any of our standard rail profiles. Available as single or double gates. INTEX Gates cannot be trimmed or cut to size.



**Liberty Gates**



**Hampton Gates  
Providence Gates**



**Dartmouth Gates**



**Nautilus Custom Gates**

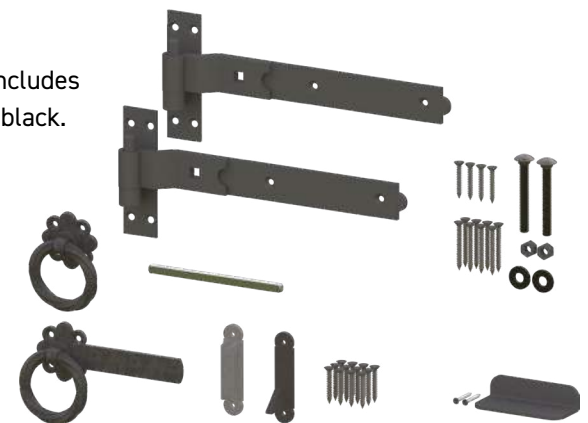


Hampton Flat with Double Gate & 5" Newel Wraps

**GATE HARDWARE**

INTEX Rail Gate Mounting Hardware set includes Two 12" Band Hinges, Latch & Stop, all in black.

- A. Face-Mount Hardware Application**
- B. In-Line Hardware Application**



# Structural Posts NEWEL WRAPS

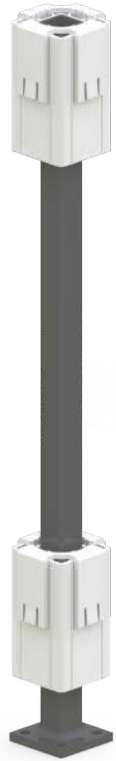


# Fabricated & Extruded NEWEL WRAPS



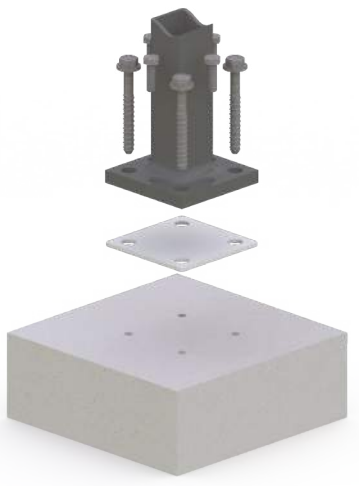
### POST-MOUNT & HARDWARE

- Structural Post System requires 2 items to complete; NEWELPOST36/42 (Structural Post) along with one of the following:
  - NEWELMOUNT-W (through bolt detail) **OR**
  - NEWELMOUNT-C (lag bolt detail)
- Includes #10 x 1-1/2" Rail Attachment Screws for proper fastening of rail to post
- Works for 36" & 42" level rail heights, and 36" stair rail heights
- Includes Injection Molded Compression Shims for easy use with NEWEL5 & NEWEL5-EX
- Salt Spray tested for coastal application



**NEWELPOST36/42**  
POST MOUNT WITH GUIDES

	Liberty	Hampton	Providence	Dartmouth	Nautilus
<b>Structural Posts</b>	✓	✓	✓	✓	✓



**NEWELMOUNT-C**  
POST MOUNT HARDWARE KIT FOR CONCRETE APPLICATION



**NEWELMOUNT-W**  
POST MOUNT HARDWARE KIT FOR WOOD APPLICATION



**IMPC5** works with NEWEL5-EX & NEWEL5



**NCFLAT5** works with NEWEL5-EX & NEWEL5



**NCPYRAMID5** works with NEWEL5-EX & NEWEL5



**NCHAR5** works with NEWEL5-EX & NEWEL5

**NCFLAT6.5** works with NEWEL6.5

**NCPYRAMID6.5** works with NEWEL6.5

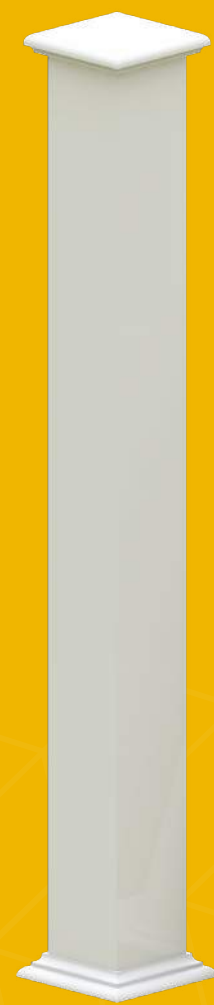
**NCHAR6.5** works with NEWEL6.5



**NEWEL SHAFT ONLY**



**NEWEL5-EX WITH IMPC5 & IMTR5**



**NEWEL5 WITH NCFLAT5 & NBTR5**



**NEWEL6.5 WITH NCPYRAMID6.5 & NBTR6.5**

**NOTE:** Newel Wraps, Caps and Trim Rings are sold separately. These renders depict common Cap & Trim Ring scenarios/compatibility for Fabricated & Extruded Newel Wraps.



**IMTR5** works with NEWEL5-EX & NEWEL5



**NBTR5-EX** works with NEWEL5-EX  
**NBTR5** works with NEWEL5  
**NBTR6.5** works with NEWEL6.5



# Termination Caps

For Gas & Wood Hearth Systems



A finishing touch

to enhance your

curb appeal.

  
**HEARTH & HOME**  
technologies<sup>®</sup>  
The Hearth Experts<sup>™</sup>



## The Finishing Touch

Termination caps are a critical component to complete any hearth system. These durable caps are UL-listed—proven effective to protect venting components and ensure safe exhaust flow.

Decorative termination shrouds deliver enhanced style and safety for fireplaces, stoves and inserts. A variety of sizes and designs are available, providing a way to accent or disguise any venting system.



# The finishing touch to distinguish your home

Don't overlook the finishing touch on a fireplace, stove or insert. Curb appeal is the #2 most important community feature homebuyers look for when choosing their new home<sup>1</sup>.

Distinguish your home from the rest of the block. Termination caps and decorative shroud options are available for gas and wood products. Select a cap or shroud to define your style.



1 According to John Burns Real Estate Consulting 2012 Consumer Insights survey

## Gas Direct Vent or Wood | Termination Caps & Shrouds



VERTICAL VENTING GAS SHROUD  
OR WOOD TERMINATION CAP

### Terra Cotta Termination Cap/Shroud

The terra cotta finish to this cap provides a traditional, masonry-style look at a fraction of the cost.

**TCG375** (for direct vent and b-vent gas, must be used with DVP-TV, DVP-TVHW or SLP-TVHW)

**TCT375** (For use with SL300 Series pipe)

**TCT1175** (For wood use with SL1100 Series pipe)



VERTICAL VENTING  
GAS OR WOOD SHROUD

### Decorative Shroud

Cloak a round termination cap with this bold decorative shroud for classic style.

**LDS33** (For use with TR344/TR342, TR11/TR11T, TS345/TS345P, DVP-TV/DVP-TVHW and SLP-TVHW)

**LDS46** (For use with TR344/TR342, TR11/TR11T, TS345/TS345P, DVP-TV/DVP-TVHW and SLP-TVHW)



VERTICAL VENTING GAS SHROUD  
OR WOOD TERMINATION CAP

### Decorative Termination Caps/ Shrouds - Octagon

Create a distinct look atop a home or office with these 8-sided copper-style or black shrouds. Powder coat finishing delivers an authentic, weather-proof finish.

**DTO134-CP/BK**

**DTO146-CP/BK**

(For gas use with DVP-TVHW/TV or SLP-TVHW, for wood use with SL300 series pipe - requires CT-3A, SL1100 series pipe - requires CT-11A, Durachimney II pipe - requires CT-14A)



VERTICAL VENTING GAS SHROUD  
OR WOOD TERMINATION CAP

### Decorative Termination Caps/ Shrouds - Square

Add unique style to a home or office with square, copper-style or black shrouds. Powder coat finishing delivers an authentic, weather-proof finish.

**DTS134-CP/BK**

**DTS146-CP/BK**

(For gas use with DVP-TVHW/TV or SLP-TVHW, for wood use with SL300 series pipe - requires CT-3A, SL1100 series pipe - requires CT-11A, Durachimney II pipe - requires CT-14A)

## Wood | Termination Caps & Shrouds



VERTICAL VENTING  
WOOD TERMINATION CAP

### Round Termination Cap

This all-purpose cap is built to handle the elements and can be disguised with shrouds.

**TR342/TR344** (For use with SL300 Series pipe)

**TR11/TR11T** (For use with SL1100 Series pipe)



VERTICAL VENTING  
WOOD TERMINATION CAP

### Decorative Square Termination Cap

**TS345** A unique, trapezoid design allows this cap to be a solution for most generations of fireplaces. (For multiple chase-top installations; for use with SL300 Series pipe)

**TS345P** This version is smooth and black for cloaked venting of any fireplace. (For multiple chase-top installations; for use with SL300 Series pipe)



VERTICAL VENTING  
WOOD TERMINATION CAP

### Square Termination Cap

Solid construction, a square design and a black or stainless steel finish provide function and utility for any wood fireplace.

**ST375/ST375SS** (For use with SL300 Series pipe)

**ST1175/ST1175SS** (For use with SL1100 Series pipe)

Available From:

  
**HEARTH & HOME**  
technologies®  
The Hearth Experts™

Hearth & Home Technologies®  
800-927-6841  
fireplaces.com







# PRODUCT PROFILE



Revised 1/2019

## Glen-Gery Clay Thin Brick (1/2", 3/4" and 1" thick)

### General

Glen-Gery provides clay thin brick in a multitude of shades and textures to accommodate the visual and application requirements of most projects. Sizes range from 8 to 16 inch and from extruded to handmade providing the widest range of thin brick available for any application.

The thickness of the thin brick available is based on the method of manufacture and the desired texture/uniformity.

Extruded thin brick available in 1/2" thickness are typically extruded as thin brick with unique surface textures and colors meeting Type TBS tolerances.

Glen-Gery's greatest variety of thin brick are available in molded and extruded 3/4" thickness. This thickness allows units to be cut from full units often specifically manufactured with larger coring and thinner webs to facilitate cutting while reducing the quantity of raw material required for manufacture. Material cut from the thin brick can be ground and reused to manufacture thin or full size units. In addition, Glen-Gery's unique large scale custom cutting operation allows thin brick to be cut from a specific lot of full brick to ensure color matching of both full and thin brick.

Handmade thin brick are available in 1" thickness to accommodate the inherent variation expected from handmade units.

Today's thin brick are installed in a wide variety of different wall systems including thickset, thinset, metal panel systems (such as Glen-Gery Thin Tech® Panels) as well as precast and tilt-up concrete wall systems. The appearance of thin brick, as well as the method of manufacture, affects the potential use of the thin brick in the various wall systems available. The thickness of the individual thin brick typically has minimal, if any, effect on any of the applications.

While each of the three categories of thin brick previously listed can be installed in most of thin brick wall systems, the precast and tilt-up concrete wall systems require thin brick with very rigid tolerances and surface textures limited to smooth or velour (wirecut) textures. In addition the cleaning techniques utilized by concrete panel manufacturers may also limit colors typical of full size units. See additional information at the end of this Profile regarding thin brick for use with precast and tilt-up concrete wall systems.

Additional information is available from your Glen-Gery representative for each thin brick wall system.

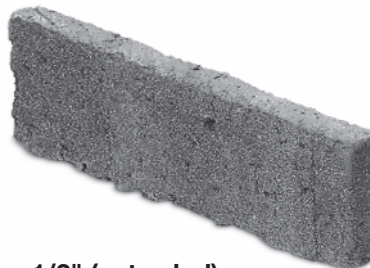
### Unit Specifications

Glen-Gery thin brick are typically manufactured to conform to the requirements of American Society for Testing

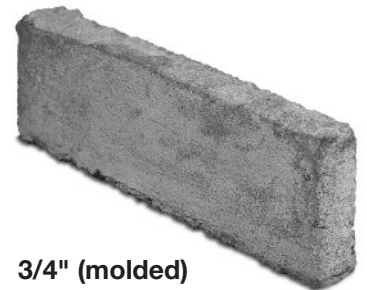
and Materials (ASTM) Standard Specification C 1088, Grade Exterior. Depending upon the particular product selected, Type TBA, TBS, or TBX may be available. These products also conform to the requirements of ASTM C 1088, Grade Interior. When specifying this product, the specifications should cite:

- 1) The product name and state "as manufactured by Glen-Gery Corporation."
- 2) Conformance to the requirements ASTM C 1088, Grade Exterior.
- 3) The actual unit dimensions listed as thickness x height x length.

Example: Harding Blend thin brick as manufactured by Glen-Gery Corporation to conform to the requirements of ASTM C 1088, Grade Exterior, Type TBS. The units shall have dimensions of 3/4" X 2-1/4" X 7-5/8".



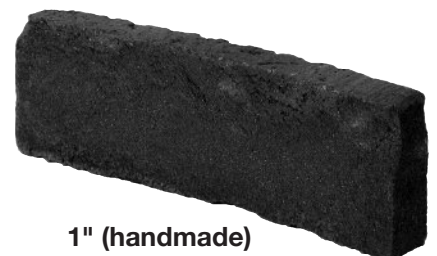
1/2" (extruded)



3/4" (molded)



3/4" (extruded)



1" (handmade)

## Design Criteria

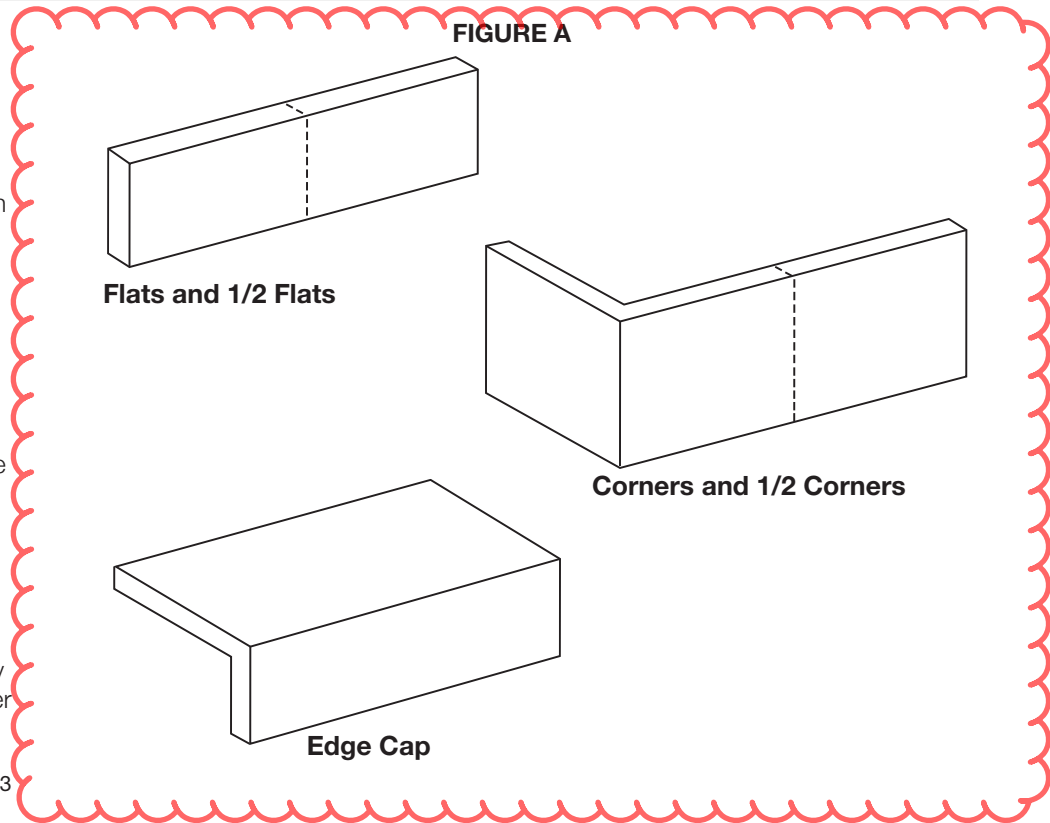
### Size:

Table 1 provides the many sizes in which Glen-Gery manufactures thin brick.

### Dimensional Tolerances:

Glen-Gery thin brick are manufactured to provide specific dimensional tolerances. The dimensional tolerances of the product are intended to be within the requirements of ASTM C 1088, Type TBS for general use. Some products (including but not limited to those manufactured at the Hanley Plant) are manufactured to meet Type TBX. Products with colors matching Handmade bricks are manufactured to meet Type TBA. The product ordered will generally contain a number of units which are over or under the specified dimensions.

CONTINUED ON PAGE 3



**TABLE 1**  
**Thin Brick Size, Coverage and Weight**

Thin Brick Size	Specified Dimension						Thin Brick per square foot	Average Weight	
	Thickness (inches)	Thickness (mm)	Height (inches)	Height (mm)	Length (inches)	Length (mm)		per unit	(kg)
Queen	3/4	20	2-3/4	70	7-5/8	194	5.63	1.6	0.7
Lightweight Modular	3/4	20	2-1/4	57	7-5/8	194	6.75	1.0	0.5
Lightweight Engineer Modular	3/4	20	2-3/4	70	7-5/8	194	5.63	1.0	0.5
1/2-Modular (extruded)	1/2	13	2-1/4	57	7-5/8	194	6.75	0.7	0.3
3/4-Modular (extruded/molded)	3/4	20	2-1/4	57	7-5/8	194	6.75	1.1	0.5
Modular (handmade)	1	25	2-1/4	57	7-5/8	194	6.75	1.1	0.5
1/2-Engineer Modular	1/2	13	2-3/4	70	7-5/8	194	5.63	0.8	0.4
3/4- Engineer Modular	3/4	20	2-3/4	70	7-5/8	194	5.63	1.6	0.7
Econo	3/4	20	3-5/8	92	7-5/8	194	4.50	1.5	0.7
Standard	3/4	20	2-1/4	57	8	203	6.55	1.1	0.5
Engineer Standard	3/4	20	2-3/4	70	8	203	5.39	1.7	0.8
Handmade Oversized	1	25	2-3/4	70	8-1/2	216	5.00	1.7	0.8
King Narrow-Bed	3/4	20	2-3/4	70	9-5/8	244	4.55	1.5	0.7
Engineer King	3/4	20	2-3/16	71	9-5/8	244	4.55	1.5	0.7
King	3/4	20	3-5/8	92	9-5/8	244	4.55	1.5	0.7
Roman	3/4	20	1-5/8	41	11-5/8	295	6.00	1.0	0.5
Norman	3/4	20	2-1/4	57	11-5/8	295	4.50	1.5	0.7
Utility	3/4	20	3-5/8	57	11-5/8	295	3.00	2.4	1.1
Kingston	3/4	20	2-3/4	70	11-5/8	295	3.75	1.9	0.9
Viking			1-5/8	41	15-5/8	397	4.50	5.9	2.7
Saxon	3/4	20	2-1/4	57	15-5/8	397	3.38	2.0	0.9
Titan	3/4	20	3-5/8	92	15-5/8	397	2.25	3.0	1.4



# Tru-Brix®

Tru-Brix is a mechanically attached brick system designed to permit the use of brick in a variety of situations where the look of brick is required and full size brick are not economical or practical. Using our specially designed system, architects, builders, and homeowners can choose real brick without the need for load carrying steel, footers, or limitations on the height of the wall. Tru-Brix has been used commercially and residentially to produce classic brick architecture and modern style in exciting ways.



## Tru-Brix Applications

### Architectural solutions

Tru-Brix is more versatile and stronger than any other method of applying thin brick on virtually any wall system or any structure from low to mid to high-rise buildings. Cast stone, window sills and headers, accent bands, soldier courses and special shapes can easily be incorporated into the Tru-Brix System.



2 x 4 stud wall



Concrete masonry wall



Metal stud wall

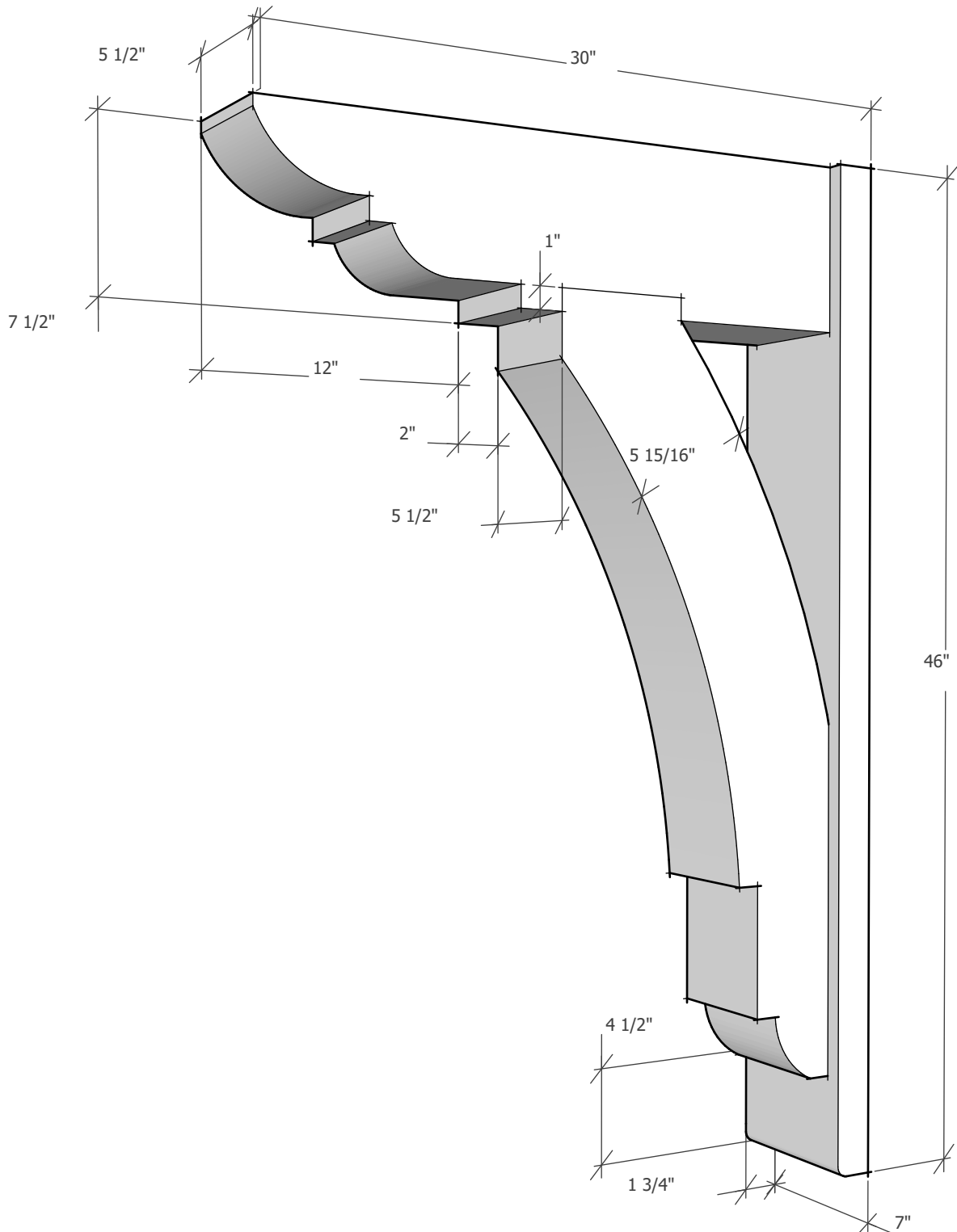


Prefabricated wall

### Warranties

Tru-Brix offers a 50-year warranty.





To see product options or learn more about this product, go to [timberbuild.com](http://timberbuild.com) and search for: **Wood Bracket 11T3**



Copyright Statement: All drawings, pictures, and specifications are the property of Timber Build and shall not be reproduced, copied, or used as the basis for manufacture, comparable pricing (bid), or sale of a product without the written permission of Timber Build.

**770-406-6646**  
[www.TimberBuild.com](http://www.TimberBuild.com)  
[Sales@TimberBuild.com](mailto:Sales@TimberBuild.com)

CAD Drawing Available

October 13, 2023

Page

**1**