



APPLICATION FOR HISTORIC AREA WORK PERMIT HISTORIC PRESERVATION COMMISSION 301.563.3400

FOR STAFF ONLY: HAWP# 1059492 DATE ASSIGNED

APPLICANT:

Name: Tina Crouse Address: 6710 Westmoreland Daytime Phone: 410-579-2009

E-mail: tcrouse@solarenergyworld.com City: Takoma Park Zip: 20912 Tax Account No.: 01059977

AGENT/CONTACT (If applicable):

Name: Tina Crouse Address: 14880 Switzer Lane Daytime Phone: 410-579-2009

E-mail: tcrouse@solarenergyworld.com City: Laurel Zip: 20707 Contractor Registration No.: MHIC 127353

LOCATION OF BUILDING/PREMISE: MIHP # of Historic Property 1059492

Is the Property Located within an Historic District? X Yes/District Name Takoma Park No/Individual Site Name

Is there an Historic Preservation/Land Trust/Environmental Easement on the Property? If YES, include a map of the easement, and documentation from the Easement Holder supporting this application.

Are other Planning and/or Hearing Examiner Approvals /Reviews Required as part of this Application? (Conditional Use, Variance, Record Plat, etc.?) If YES, include information on these reviews as supplemental information.

Building Number: 6710 Street: Westmoreland Avenue Town/City: Takoma Park Nearest Cross Street: 1st Avenue Lot: 32 Block: 17 Subdivision: 0025 Parcel: N/A

TYPE OF WORK PROPOSED: See the checklist on Page 4 to verify that all supporting items for proposed work are submitted with this application. Incomplete Applications will not be accepted for review. Check all that apply:

- Checklist of work types: New Construction, Addition, Demolition, Grading/Excavation, Deck/Porch, Fence, Hardscape/Landscape, Roof, Shed/Garage/Accessory Structure, Solar, Tree removal/planting, Window/Door, Other.

I hereby certify that I have the authority to make the foregoing application, that the application is correct and accurate and that the construction will comply with plans reviewed and approved by all necessary agencies and hereby acknowledge and accept this to be a condition for the issuance of this permit.

Signature of owner or authorized agent: Tina Crouse Date: 02/19/2024

**HAWP APPLICATION: MAILING ADDRESSES FOR NOTIFYING**  
 [Owner, Owner's Agent, Adjacent and Confronting Property Owners]

<p><b>Owner's mailing address</b></p> <p>Rebecca Wall          6710 Westmoreland Avenue          Takoma Park, MD 20912</p>	<p><b>Owner's Agent's mailing address</b></p> <p>Tina Crouse          14480 Sweitzer Lane          Laurel, MD 20707</p>
<p align="center"><b>Adjacent and confronting Property Owners mailing addresses</b></p>	
<p>Samuel Weiss          6712 Westmoreland Avenue          Takoma Park, MD 20912          (Adjacent)</p>	<p>Oluwankie O. Adeyeri          6708 Westmoreland Avenue          Takoma Park, MD 20912          (Adjacent)</p>
<p>Kramer Revocable Trust          6711 Westmoreland Avenue          Takoma Park, MD 20912          (Across the Street)</p>	<p>Ansonne LeBlanc          6709 Westmoreland Avenue          Takoma Park, MD 20912          (Across the Street)</p>
<p>6713 Westmoreland Ave, Takoma Park 20912</p> <p>6717 Westmoreland Ave, Takoma Park 20912</p> <p>6712 Westmoreland Ave, Takoma Park 20912</p> <p>6725 Westmoreland Ave, Takoma Park 20912</p>	

**Description of Property:** Please describe the building and surrounding environment. Include information on significant structures, landscape features, or other significant features of the property:

**Single Family Home built in 1912**

**Description of Work Proposed:** Please give an overview of the work to be undertaken:

- Install (28) roof mounted solar panels on roof top
- (28) Micro Inverters to be installed under each panel
- Utility disconnect to be installed next to utility meter along with electrical combiner box for micro-inverters.
- Galvanized steel conduit to run from the equipment along side of house tucked into attic.

Historical Work Permit Application for Roof Mounted Solar

Rebecca Wall, 6710 Westmoreland Avenue, Takoma Park, MD 20912

Existing Property Condition Photographs



Front of House



Back of House





Left Side of House



Right Side of House

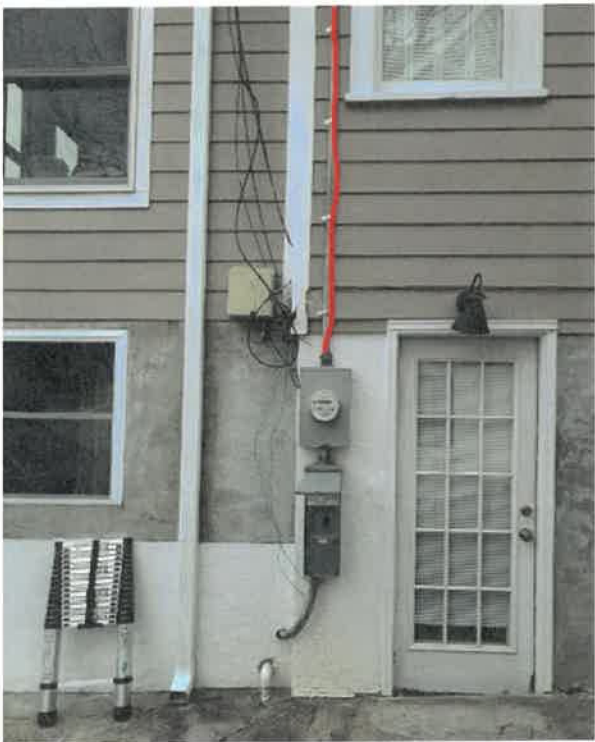


Utility Meter before Installation






Utility Meter after Installation





# DAVID C. HERNANDEZ, PE

513-418-8812 

4912 Prospect Ave., Blue Ash OH 45242 

davehernandezpe@gmail.com 

DATE: February 16, 2024

RE: 6710 Westmoreland Avenue, Takoma Park, MD 20912

To Whom It May Concern,

As per your request, Exactus Energy has inspected the structure and has conducted a structural assessment of the building at the above address.

PV solar panels are proposed to be installed on roof areas as shown in the submitted plans. The panels are clamped and attached to the roof decking with a rail-less mounting system. The PV system (PV modules, racking, mounting hardware, etc.) shall be installed according to the manufacturer's approved installation specifications. The Engineer of Record and Exactus Energy claim no responsibility for misuse or improper installation.

It was found that the roof structures satisfactorily meet the applicable standards included in the IBC 2018, IRC 2018, IEBC 2018 and ASCE 7-16 as well as the design criteria shown below:

Design Criteria:

Risk Category	= II
Exposure Category	= B
Wind speed	= 115 mph
Ground snow load	= 30 psf
Roof dead load	= 9 psf
Solar system dead load	= 3 psf

Overall, the roof area is structurally adequate to support the PV alteration with no modifications or reinforcements as required per 2018 IEBC Sections 502.4 and 502.5.

This letter was completed in accordance to recognized design standards, professional engineering experience, and judgement. Prior to installation, the on-site contractor must notify Exactus Energy if there are any discrepancies, or damages to the members, that was not addressed in the plan set.

If you have any further questions, please do not hesitate to contact me.

Acknowledged by:

David C. Hernandez, PE

Digitally signed by David C. Hernandez,  
Date: 2024.02.16 10:46:03 -05:00



PROFESSIONAL CERTIFICATION. I HEREBY CERTIFY THAT THESE DOCUMENTS WERE PREPARED OR APPROVED BY ME, AND THAT I AM A DULY LICENSED PROFESSIONAL ENGINEER UNDER THE LAWS OF THE STATE OF MARYLAND, LICENSE NO. 49993, EXP 10/06/2024.  
Sgd.02/16/24



Project Property Owner Rebecca Wall

Address 6710 Westmoreland Avenue, Takoma Park, MD 20912

I reviewed the design of the photovoltaic (PV) system, as designed by the manufacturer, and the design criteria utilized for the mounting equipment and panel mounting assembly (rack system) for the installation of (28) panels supported by the rack system, as shown on the drawings prepared for the above referenced address. I certify that the configurations and design criteria meet the standards and requirements of the International Residential Code (IRC) and International Existing Building Code (IEBC) adopted by Montgomery County in COMCOR08.00.02.

The attachment of the rack system to the building at the above address, including the location, number, and type of attachment points; the number of fasteners per attachment point; and the specific type of fasteners (size, diameter, length, minimum embedment into structural framing, etc.) meets the standards and requirements of the IRC and IEBC adopted by Montgomery County in COMCOR 08.00.02.

I evaluated the existing roof structure of the building at the above address and analyzed its capacity to support the additional loads imposed by the PV system. I certify that no structural modifications of the existing roof structure are required. The existing roof structure meets the standards and requirements of the IRC and IEBC, adopted by Montgomery County in COMCOR 08.00.02, necessary to support the PV system.

I evaluated the existing roof structure of the building at the above address and analyzed its capacity to support the additional loads imposed by the PV system. Structural modifications of the existing roof structure are required. I certify that the roof structure, as modified on the drawings for this project, will support the additional loads imposed by the PV system. I further certify that design of the modified roof structure meets the standards and requirements of the IRC and IEBC, adopted by Montgomery County in COMCOR 08.00.02.

I prepared or approved the construction documents for the mounting equipment, rack system, roof structure for this project.

49993  
Maryland PE License Number

Date 02/16/224

Signature David C. Hernandez, PE  
Digitally signed by David C. Hernandez,  
Date: 2024.02.16 10:46:21 -05:00

Seal



PROFESSIONAL CERTIFICATION. I HEREBY CERTIFY THAT THESE DOCUMENTS WERE PREPARED OR APPROVED BY ME, AND THAT I AM A DULY LICENSED PROFESSIONAL ENGINEER UNDER THE LAWS OF THE STATE OF MARYLAND, LICENSE NO. 49993, EXP 10/06/2024.  
Sgd.02/16/24

**Must be submitted with plans**





# SnapNrack™

Solar Mounting Solutions

---

## TopSpeed™ Mounting System

Installation Manual

---

[snapnrack.com](http://snapnrack.com)



SnapNrack's primary goal is to provide our customers with the lowest possible installed cost for mounting residential solar modules, without compromising the values the industry has come to expect: ease of use, quality, aesthetics, and safety. Designing with this goal in mind, we are proud to present the SnapNrack TopSpeed™ mounting system with SpeedSeal™ Technology.

SnapNrack has created a ground breaking system combining great features and benefits we are known for, with our TopSpeed™ System and the most up to date technical innovation in the industry, thus reducing parts while driving down labor, material, and total installation costs. Designed to work with standard module frames, achieving UL 2703 Listing for Grounding/Bonding and Fire Classification, providing integrated wire management, aesthetics and our industry leading "Snap-In" features, SnapNrack is providing the simplest and most cost effective solar mounting solution on the market with TopSpeed™ including integrated fasteners and SpeedSeal™ Technology.

## Advantages of Installing the SnapNrack TopSpeed™ System

**Modules are installed with a minimum number of parts**

This elimination of parts leads to a lower estimated system cost for both the installer and home owner.

**Built in Wire Management and Aesthetics**

Extensive wire management solutions have been designed specifically for the system that adapts to multiple possible mounting positions.

The system is designed to be aesthetically pleasing and sturdy with a skirt that provides considerable strength at the leading edge and an elegant look for those seeking high end looking systems.

**SnapNrack TopSpeed™ includes SpeedSeal™ Technology**

SpeedSeal™ Technology features integrated flashing. This eliminates loosening layers of composition and removing nails with a pry bar, leading to less damage to the roof, minimized potential roof leaks, and much faster installs.

**TopSpeed™ Mounts attach Directly to the Decking**

As well as all of the benefits associated with the standard SpeedSeal™ Technology, TopSpeed™ attaches to the roof sheathing and does not require rafter attachment. Simply attaching to the roof sheathing removes the requirement for finding rafters and drilling pilot holes, creating potential rafter misses that can cause leaks.

## Project Plans

Certification Details . . . . .	4
Component Details . . . . .	5
Pre-Installation Requirements . . . . .	7

## Installation Steps

TopSpeed™ Skirt Layout . . . . .	8
TopSpeed™ Mount to Module Installation . . . . .	9
TopSpeed™ Mount Skirt Installation . . . . .	10
Wire Management . . . . .	13
MLPE Attachment . . . . .	16
Module Installation . . . . .	19

## Grounding Specifications . . . . . 22

Maintaining the Grounding Bonding When Removing a Module . . . . .	23
Appendix A: List of approved Modules and MLPEs . . . . .	25

## Certification Details

---

SnapNrack TopSpeed™ mounting system has been evaluated by Underwriters Laboratories (UL) and Listed to UL Standard 2703 for Grounding/Bonding, and Fire Classification.

### **Grounding/Bonding**

Only specific components have been evaluated for bonding, and are identified as being in the ground path. The TopSpeed™ components that have been evaluated for bonding are the Mount Assembly (Mount Clamp Top, Module Clamp Tower, Angle Bracket), Clamp Assembly, Universal Skirt, Universal Skirt Clamp, Ground Lugs, and Smart Clips.

Universal Skirt Spacers, Mount Channel Nut, and Mount Base are not required to be bonded to the system based on the exceptions in clause 9.1 of UL 2703 1st Ed. Wire management clips are utilized to route conductors away from these components and must be assembled according to the instructions.

This mounting system may be used to ground and/or mount a PV module complying with UL 1703 or UL 61703 only when the specific module has been evaluated for grounding and/or mounting in compliance with the included instructions. See Appendix A for the list of modules tested for use with the TopSpeed™ System for integrated grounding.

Ground Lugs have been evaluated to both UL 467 and UL 2703 Listing requirements. The following ground lugs have been approved for use: SnapNrack model 242-92202, and IlSCO models GBL-4DBT and SGB-4.

The following components have been evaluated for bonding as the fault current ground path: TopSpeed™ Mount Assembly, (Mount Clamp Top, Module Clamp Tower, Angle Bracket), Clamp Assembly, Wire Management Clips, and Ground Lugs. In order to maintain the Listing for bonding, wire management clips must be assembled to route conductors away from parts that have not been evaluated for bonding.

A Listed (QIMS) and Unlisted Component (KDER3) grounding lug, SnapNrack part no. 242-92202, is attached to the module frame flange for the normal attachment of a Grounding Electrode Conductor, which provides bonding within the system and eventual connection to a Grounding Electrode, as required by the U.S. NEC. Details of part no. 242-92202 can be found in Volume 1, Section 4, and Volume 2, Section 2. When this method is used, the grounding symbol is stamped onto the body of the ground lug to identify the grounding terminal.

An alternate method of grounding, a UL Listed (KDER and QIMS) grounding lug, IlSCO (E34440 and E354420) model SGB-4 is attached to the module frame flange. When this method is used, the grounding terminal is identified by the green colored screws of the lug.

An alternate method of grounding, a UL Listed (KDER and QIMS) grounding lug, IlSCO (E34440 and E354420) model GBL-4BDT is attached to the module frame flange through the specified hardware and torque values. When this method is used, the grounding terminal is identified by the green colored set screw of the lug.

An alternate method of grounding, Enphase R/C (QIKH2)(QIMS2) model M250, M215 & C250 is bonded to the Listed PV module frame by the Enphase R/C (QIMS2) Model EFM-XXMM anodization piercing mounting/clamping kit. The total roof-mounted PV system is bonded (modules and microinverters) together and the assembly is bonded to ground through the Enphase R/C (QIMS2) Engage Cables; Model ETXX-240, ETXX-208 or ETXX-277, when properly grounded at the service entrance. R/C (QIMS2), Dynoraxx (E357716) photovoltaic bonding device cat. no. Dynobond is an optional component that may be used with this system. The Dynobond device has been evaluated to provide module to module bonding. The Dynobond device attaches to the frame flange of adjacent modules Listed (QIMS), SnapNrack MLPE Frame Attachment Kit model 242-02151 has been investigated to bond approved MLPE device back plates to frames of modules.

## **Fire**

SnapNrack TopSpeed™ has been investigated for a Class A System Fire Classification for Steep-Sloped and low sloped roofs with Type 1 and Type 2 modules. Because the system was tested at 5 inches above the test roof fixture, TopSpeed™ can be installed without any height restrictions due to System Fire Classification. See Appendix A for potential module-specific height restrictions due to module temperature. The Skirt is considered an optional component with respect to Fire Classification, as SnapNrack TopSpeed™ maintains the same Fire Classification Rating both with and without the skirt.

**NOTE:** Modules with an asterisk\* have a fire rating that is different from Type 1, Type 2 or Type 29. SNR systems have only been evaluated for use with Type 1, Type 2, or Type 29 modules. Modules with a different fire type rating should be considered to not have been evaluated for use with SNR systems with respect to a system fire rating.

## **Inspection Practices**

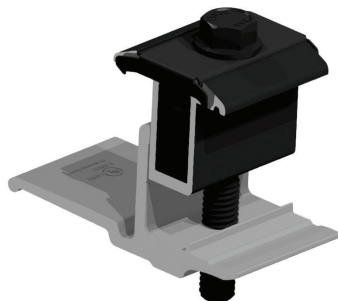
SnapNrack recommends a periodic re-inspection of the completed installation for loose components, loose fasteners, and any corrosion, such that if found, the affected components are to be immediately replaced.

## TopSpeed™ Structural Components



### TopSpeed™ Mount

SnapNrack TopSpeed™ Mount assembly including SpeedSeal™ base, clamp top, and (4) SnapNrack #14 SS Wood Screws with 1/2" Hex Head.



### TopSpeed™ Clamp

SnapNrack TopSpeed™ Clamp assembly including including Link bottom, Link top, and springs.



### Universal Skirt

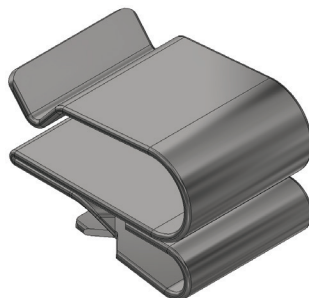
SnapNrack Universal Skirt in double portrait or single landscape lengths.

## Wire Managements Components



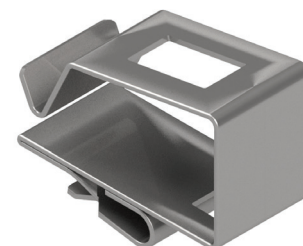
### Skirt Spacers

SnapNrack Universal Skirt Spacer for 40mm, 38mm, 35mm, 32mm, and 30mm modules.



### Smart Clip

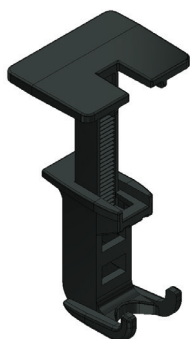
Module frame cable clip, holds two PV wires or Enphase IQ-Cables.



### Smart Clip XL

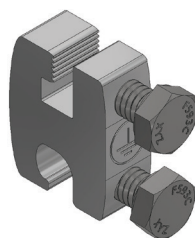
Module frame cable clip, holds six PV wires or four Enphase IQ-Cable.

## Grounding/MLPE Components



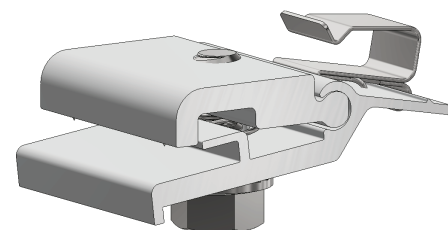
### Wire Saver

Designed to secure conductors that become loose and hang below the array, holds one conductor.



### Ground Lug

SnapNrack Ground Lug assembly used for attaching the Equipment Grounding Conductor on to one module or any TopSpeed™ Mount per array. 5



### MLPE Frame Attachment Kit

Attaches MLPEs (Module Level Performance Enhancers) and other related equipment to the module frame.

## Hardware Torque Specifications

The recommended torque to be applied to components for proper assembly and bonding are as follows:

Hardware Description	Torque Specification
All TopSpeed™ ½" bolts; System Leveling Bolt, TopSpeed™ Mount Clamping Bolt, Clamp Bolt	16 ft-lb
Ground Lug model 242-92202 to Module Frame or anywhere on the TopSpeed™ Mount, and Ground Lug model 242-92202 to Grounding Electrode Conductor (6-12 SOL)	8 ft-lb
MLPE Frame Attachment Kit, MLPE Rail Attachment Kit	10 ft-lb
SolarEdge Frame Mounted Microinverter Bracket to Module Frame	11 ft-lb
Enphase Frame Mounted Microinverter Bracket to Module Frame	13 ft-lb
Ground Lug model SGB-4 to module	75 in-lb
Ground Lug model SGB-4 to Grounding Electrode Conductor (4-14 SOL or STR)	35 in-lb
Ground Lug model GBL-4DBT to module	35 in-lb
Ground Lug model GBL-4DBT to Grounding Electrode Conductor (10-14 SOL or STR)	20 in-lb
Ground Lug model GBL-4DBT to Grounding Electrode Conductor (8 SOL or STR)	25 in-lb
Ground Lug model GBL-4DBT to Grounding Electrode Conductor (4-6 SOL or STR)	35 in-lb



## Site Survey

- Measure the roof surfaces and develop an accurate drawing, including any obstacles such as chimneys and roof vents.
- If plans for the roof structure are available, verify that the plans match the final structure.
- Identify any roof access or setback areas as required by the local AHJ.
- Identify any construction issues that may complicate the process of locating rafters from the roof surface.
- If you find structural problems such as termite damage or cracked rafters that may compromise the structure's integrity consult a structural engineer.

## Design Guidance

- PV Designers should account for the 0.75 inch spacing between rows and columns of modules when creating the layout.
- Determine site conditions for calculating the engineering values, confirm site conditions and code versions comply with local AHJ requirements.
- Reference site conditions and system specifications in TopSpeed™ Structural Engineering Report to determine the number of attachments per module side.
- Insert SnapNrack installation details into design plan set specific to the project requirements.
- Draw roof attachment locations on plan set layout based on TopSpeed™ Structural Engineering.

### Best Practice:

If environmental load conditions require three TopSpeed™ attachments per module side this is only required when modules share attachments.

- Identify homerun and Junction Box locations based on rooftop wiring requirements.
- Mark distance from array edge to identifiable roof feature in x and y axes.

### Safety Guidance

- Always wear appropriate OSHA approved safety equipment when at active construction site.
- Appropriate fall protection or prevention gear should be used. Always use extreme caution when near the edge of a roof.
- Use appropriate ladder safety equipment when accessing the roof from ground level.

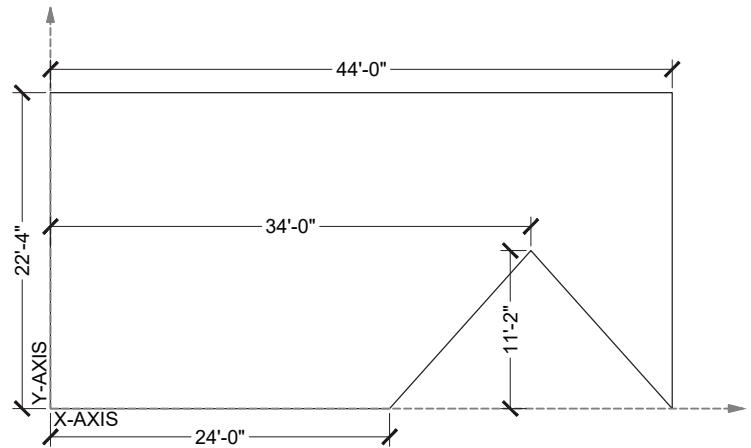


Image note: X-Axis described in this manual is cross-slope on the roof, Y-Axis is in line with the roof slope.

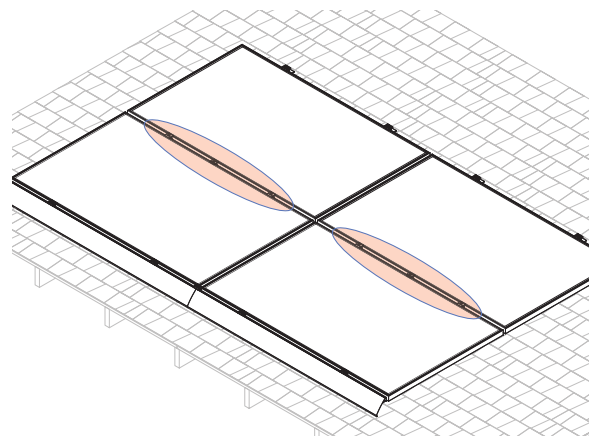
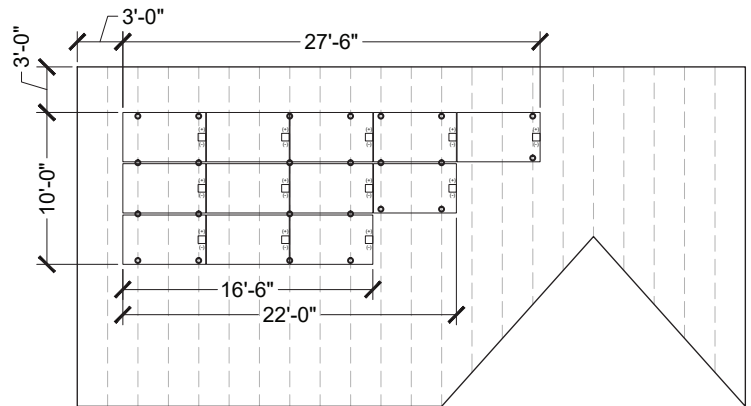


Image note: This four module array is installed in a high load configuration with three attachments per side where two modules share attachments. See highlighted area. As shown, three attachments are never required at the skirt or the top of the array.

### Safety Guidance Continued

- Safety equipment should be checked periodically for wear and quality issues.
- Always wear proper eye protection when required.

## Required Tools

● Socket Wrench/Impact Driver

● Torque Wrench

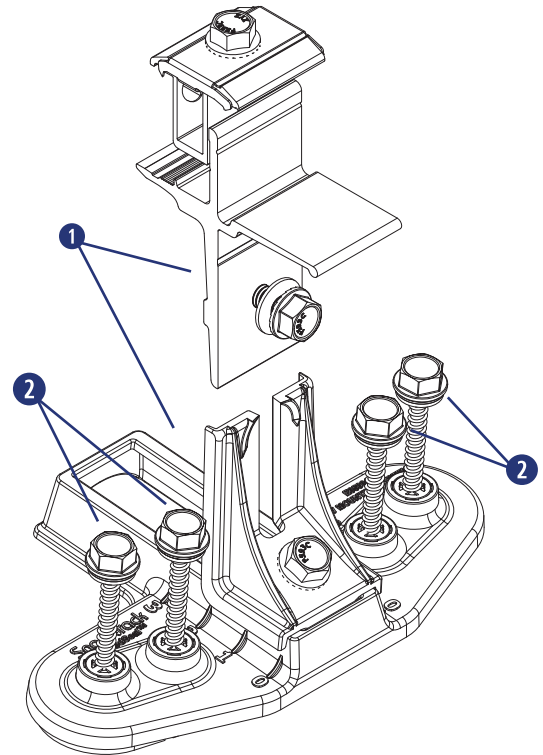
● 1/2" Socket

## Materials Included - TopSpeed™ System with SpeedSeal™ Technology

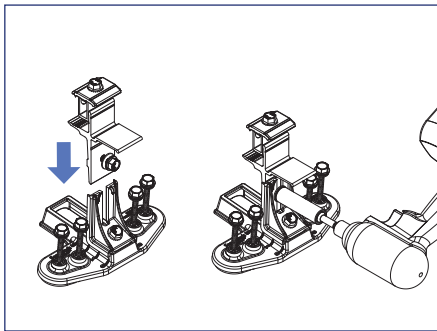
- 1 (1) SnapNrack TopSpeed™ Mount
- 2 (4) SnapNrack #14 Wood Screw with 1/2" Hex Head & sealing washer

### Best Practice:

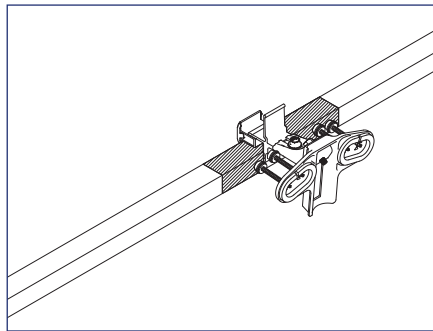
Attach all TopSpeed™ mounts as the modules are being prepped with MLPEs on the ground. Attach Mounts before attaching MLPEs to simplify wire management.



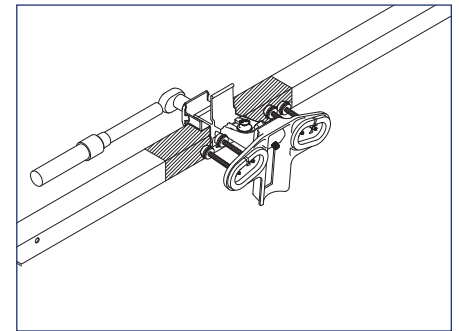
## INSTALLATION INSTRUCTIONS



1) Assemble all TopSpeed™ Mounts required for the installation. Slide the clamp tower assembly into the angle bracket riser and tighten the leveling bolt to 16 ft-lbs.



2) Position TopSpeed™ Mount clamp on the module frame within the module manufacturers required clamping zone.



3) Tighten 1/2" clamping bolt to 16 ft-lb. Only two Mounts are required per module on one side.

### Install Note:

For high load conditions add a third attachment in the middle of the module frame.

## Required Tools

- Roof Marking Crayon or Chalk
- Tape Measure

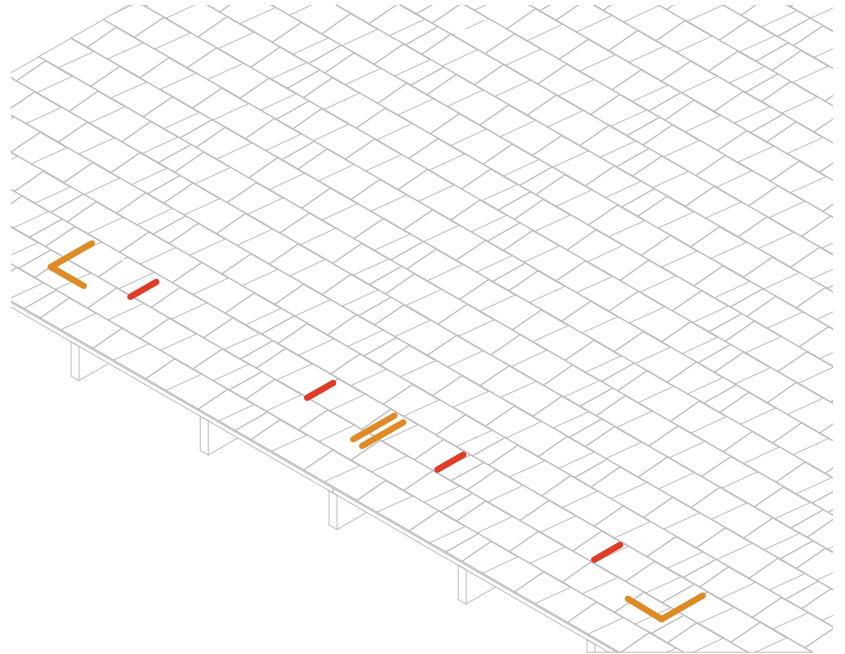
## LAYOUT INSTRUCTIONS

1) Use a tape measure to verify that all modules will fit properly on the roof surface.

2) On the roof draw the layout for the skirt installation including module gaps (recommended 0.75 inch gap), bottom corners, and locations of the two TopSpeed™ attachments per module that clamp to the skirt. Three attachments per module is never required at the skirt.

### Install Note:

If environmental load conditions require three TopSpeed™ attachments per module side this is only required when modules share attachments.

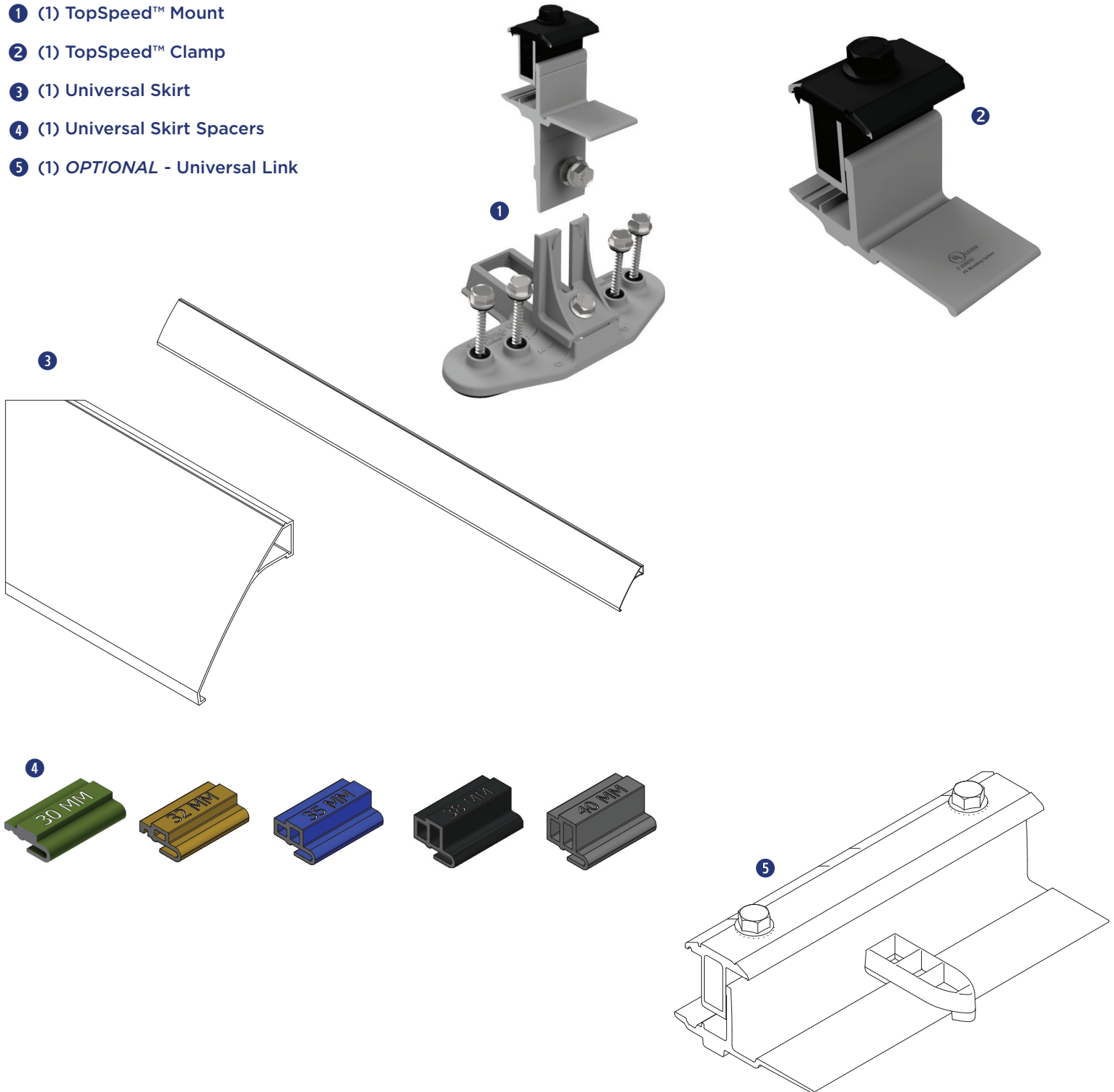


## Required Tools

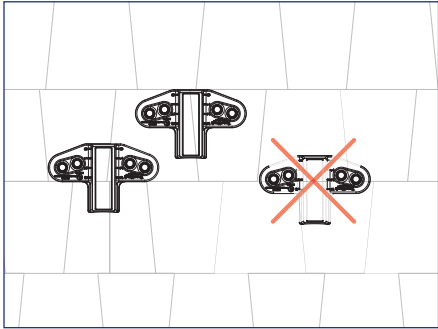
- Socket Wrench/Impact Driver
- Torque Wrench
- 1/2" Socket
- Roofing sealant

## Materials Included - TopSpeed™ Mount with SpeedSeal™ Technology

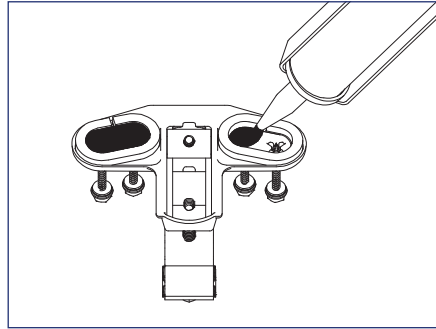
- ① (1) TopSpeed™ Mount
- ② (1) TopSpeed™ Clamp
- ③ (1) Universal Skirt
- ④ (1) Universal Skirt Spacers
- ⑤ (1) *OPTIONAL* - Universal Link



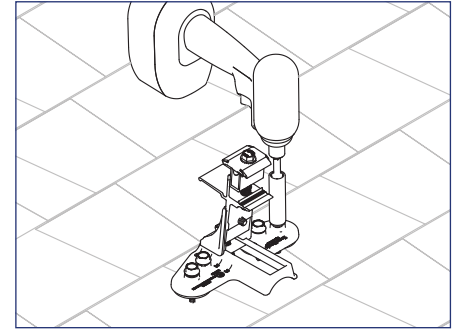
## INSTALLATION INSTRUCTIONS



1) Install TopSpeed™ Mounts at locations drawn during the skirt layout. Mounts must be installed entirely on one course of composition.



2) Fill both cavities on bottom of TopSpeed™ Mount created by SpeedSeal™ gasket with roof sealant to ensure a watertight seal.

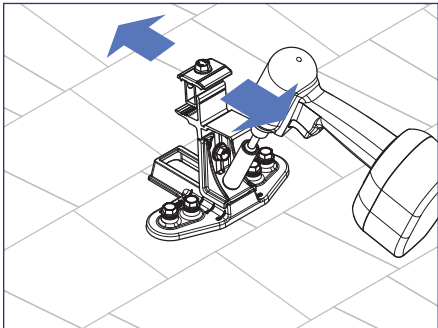


3) Attach TopSpeed™ Mount to roof using the (4) SnapNrack #14 Wood Screws with 1/2" hex head that are captured in the Mount.

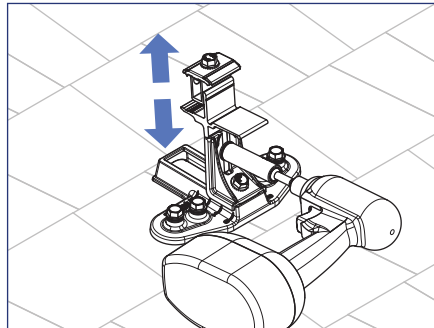


### Install Note:

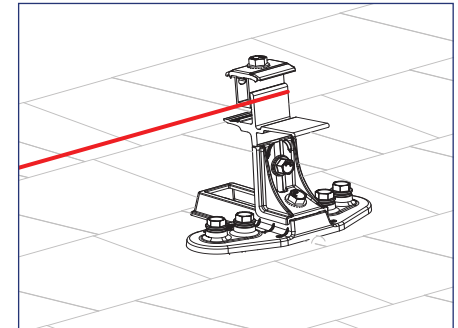
Roof sealant should be expelled from both vents of the TopSpeed™ Mount as it is installed to assure the proper amount of roof sealant has been applied. If sealant is not expelled from all four vents, remove TopSpeed™ Mount, add more sealant to the cavity, then reinstall.



4) Loosen Course Adjustment bolt and adjust end Mounts up or down until aligned with bottom edge of array as marked on the roof, then tighten the Course Adjustment bolt.



5) To set the TopSpeed™ Mount level loosen the Leveling bolt and move the clamp up or down, then tighten the Leveling bolt and torque to 16 ft-lb.



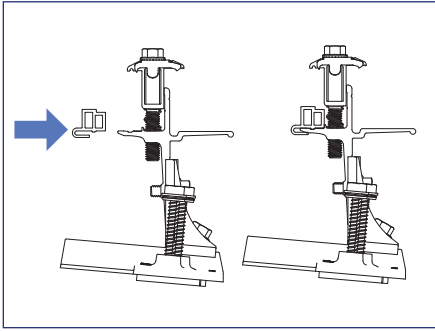
6) Pull string line tight from one corner mount to opposite corner mount to align and level all TopSpeed™ Mounts between the end mounts.



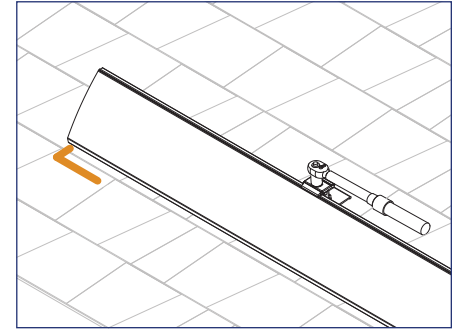
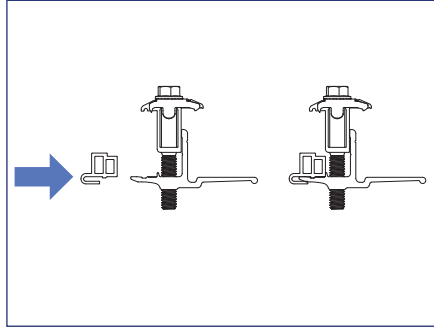
### Install Note:

Use the string line alignment feature on Mounts to level and align the Mounts.

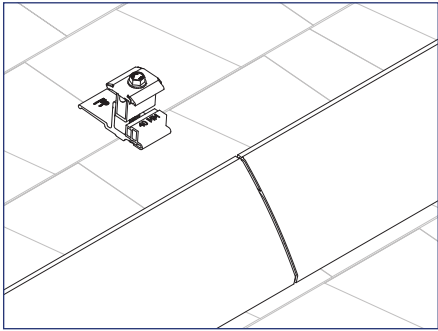
## INSTALLATION INSTRUCTIONS



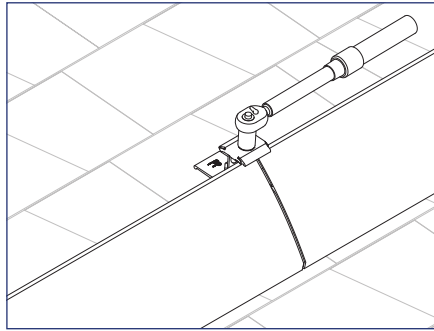
7) Universal Spacers will need to be added to Mounts and Clamps where Skirt will be installed.



8) Install Universal Skirt by holding the skirt in Mount, sliding Skirt to align with array layout marks, and clamping skirt into mount.



9) Use TopSpeed™ Clamps to connect multiple lengths of Array Skirt.



### Install Note:

Optionally use Universal Links to connect lengths of Array Skirt.



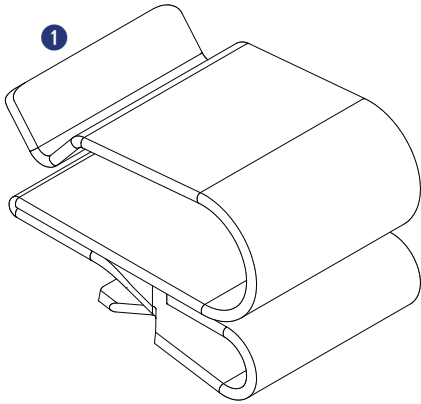
## Required Tools

- Socket Wrench
- Torque Wrench
- 1/2" Socket
- Electrician Tools

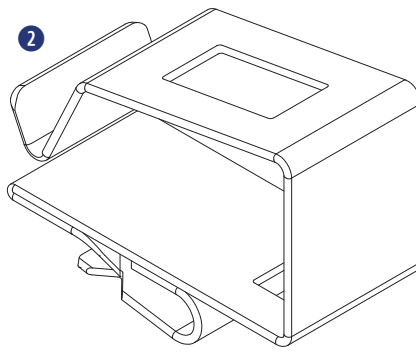
## Materials Included

### Smart Clips

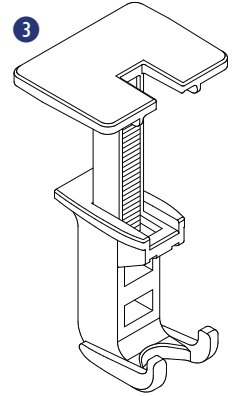
- 1 (1) Smart Clip [(2) PV Wire, (1) Enphase IQ Cable]
- 2 (1) Smart Clip XL [(6) PV Wire, (4) Enphase IQ]
- 3 (1) Wire Saver [(1) PV Wire]



Smart Clip



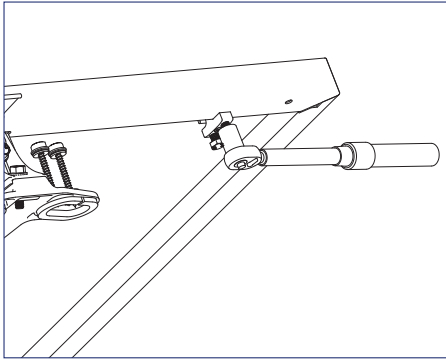
Smart Clip XL



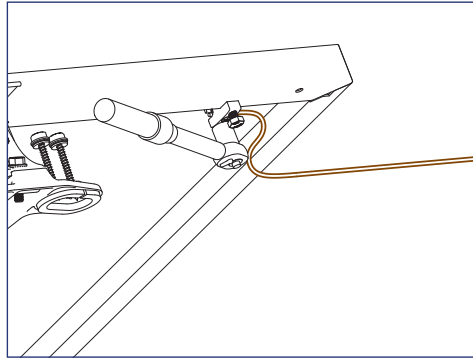
Wire Saver

## INSTALLATION INSTRUCTIONS - GROUND LUG

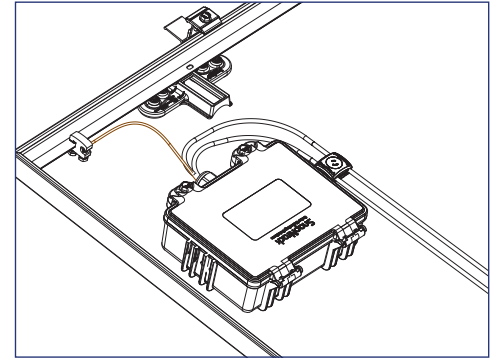
The SnapNrack Ground Lug to be used in accordance with the National Electric Code, ANSI/NFPA 70.



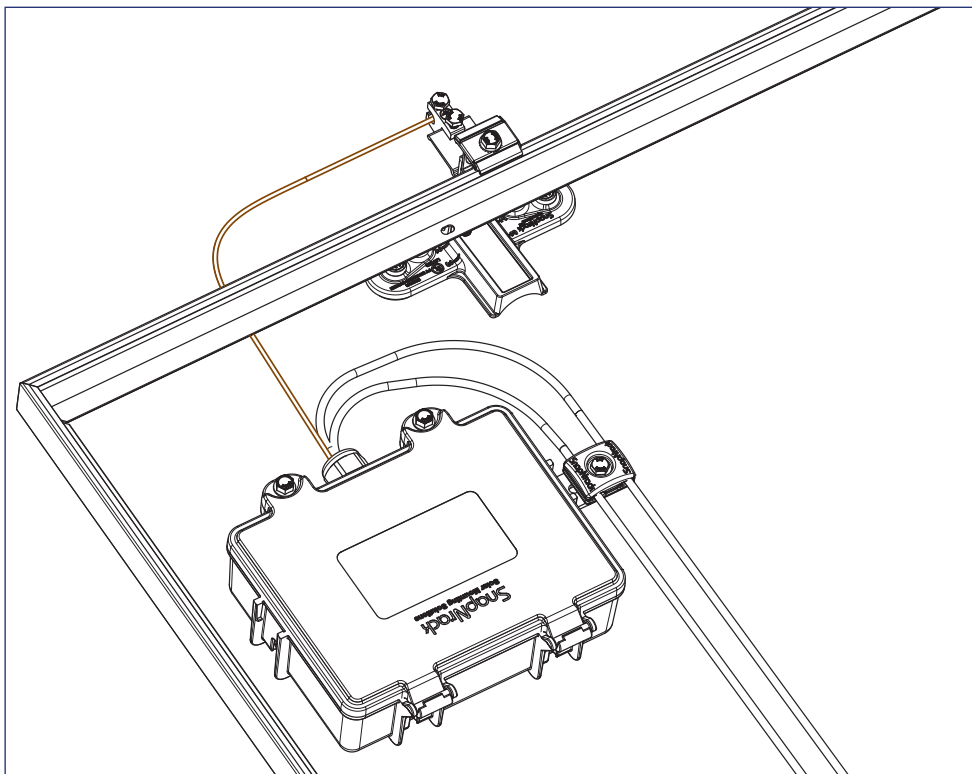
1) Ground Lug (242-92202) can be attached anywhere along the module frame or any TopSpeed™ Mount near the Junction Box. Torque module clamping bolt to 8 ft-lb.



2) Run 10 - 6 AWG, solid, bare copper GEC into Ground Lug channel, torque wire clamping bolt to 8 ft-lb.



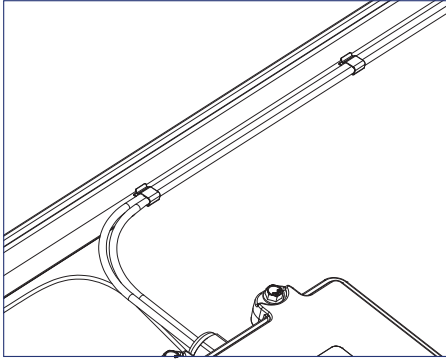
3) Run bare, solid EGC from Ground Lug R to Junction Box, bond bare EGC to stranded EGC in Junction Box. For details on installing the Junction Box reference the **Junction Box Installation Manual**.



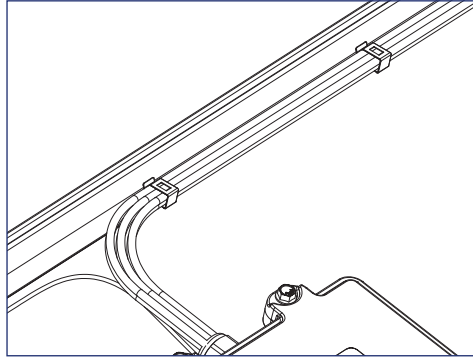
4) Optionally; Install Ground Lug on the Mount Landing Pad at the top of the array. Run bare copper between ground lug and Junction Box.

## INSTALLATION INSTRUCTIONS - SMART CLIPS

SmartClip and SmartClip XL should be used to route conductors in a neat and workmanlike manner away from all non-bonded components and support the conductors adequately to eliminate potential damage.



1) Use SnapNrack Smart Clip II to manage up two PV wires inside the module frame while prepping out the modules on the ground or installing modules on the roof.



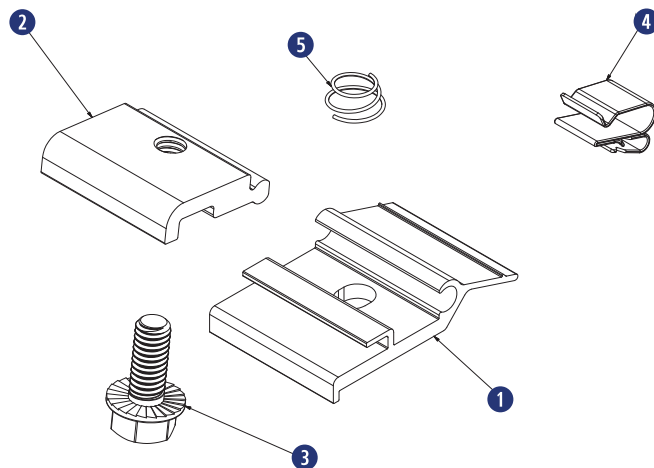
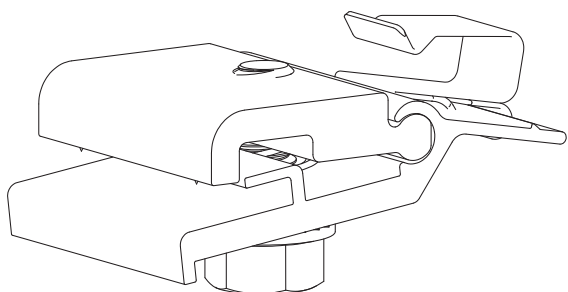
2) Use SnapNrack Smart Clip XL to manage larger bundles of PV wire; up to 6 PV wires per clip

## Required Tools

- Socket Wrench
- Torque Wrench
- 1/2" Socket

## Materials Included - MLPE Rail Attachment Kit

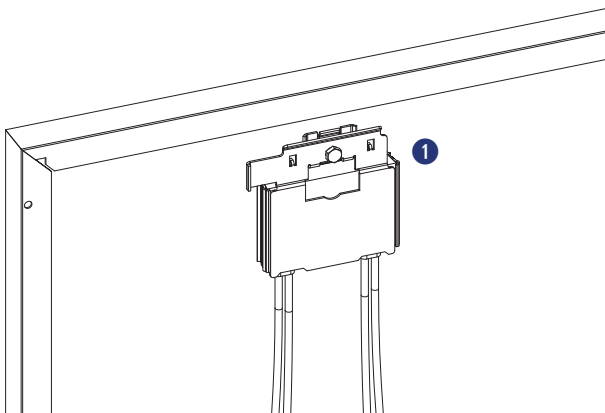
- ① (1) SnapNrack MLPE Frame Attachment Top
- ② (1) SnapNrack MLPE Frame Attachment Bottom
- ③ (1) 5/16"-18 X 3/4" Serrated Flange Bolt SS
- ④ (1) SnapNrack Smart Clip
- ⑤ (1) SnapNrack MLPE Frame Attachment Coil Spring SS



## Materials Included

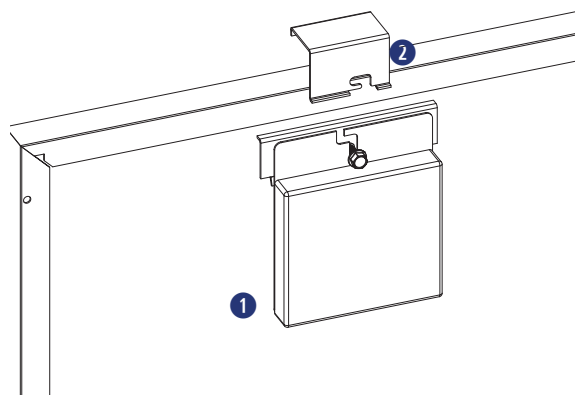
### SolarEdge Frame Mount

- ① (1) SolarEdge Optimizer w/ Frame-Mounted Module Add-On



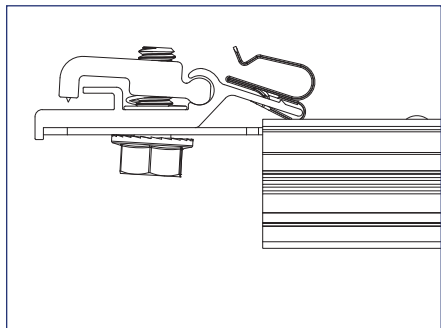
### Enphase Frame Mount

- ① (1) Enphase Microinverter
- ② (1) Enphase Frame Mount

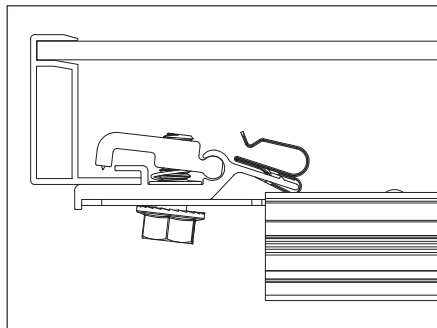


## INSTALLATION INSTRUCTIONS - SNAPNRACK MLPE FRAME ATTACHMENT KIT

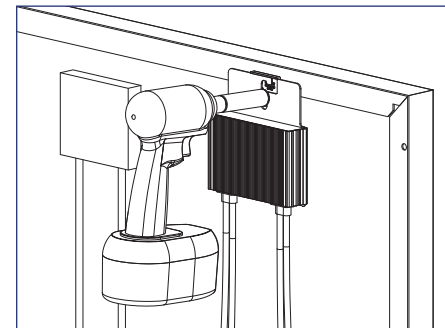
SnapNrack MLPE Frame Attachment kit are used to attach module level performance enhancing devices, and other devices such as an SRD (rapid shutdown device), directly to module frames, and provide integrated grounding/bonding for Devices grounded through metal back plate. (Refer to the list of tested MLPE devices on page XX of this manual).



1) Slide the backplate channel of the MLPE device under the MLPE Frame Attachment Kit bolt. The MLPE mounting plate should rest against the MLPE mounting plate backstop on the MLPE Frame Attachment Kit.



2) Position the MLPE Frame Attachment Kit on the module frame flange in a location that will not interfere with mounting system components. The module frame flange should rest against the module flange backstop on the MLPE Frame Attachment Kit.



3) Tighten the mounting bolt on the MLPE Frame Attachment Kit to 12 lb-ft (144 lb-in).



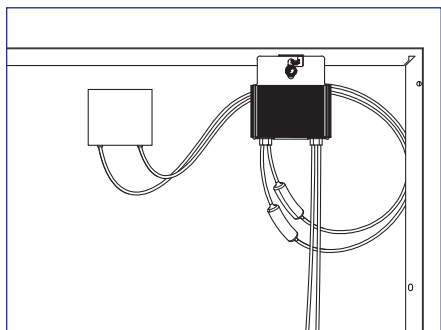
### Install Note:

The MLPE Frame Attachment Kit bonds the following components:  
Module Frame, MLPE backplate and Smart Clip.



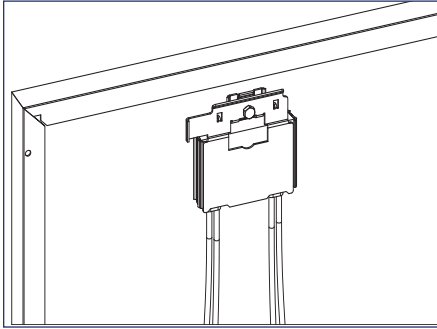
### Install Note:

Avoid blocking module frame drainage holes when installing the MLPE Frame Attachment Kit.

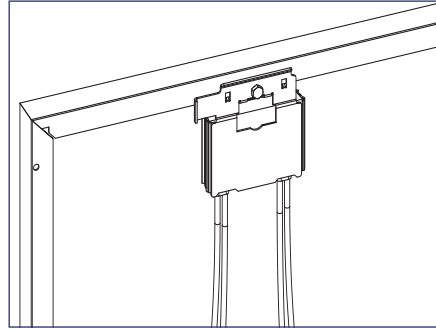


4) Connect the module leads to the input connectors on the MLPE device and manage conductors with the integrated Smart Clip.

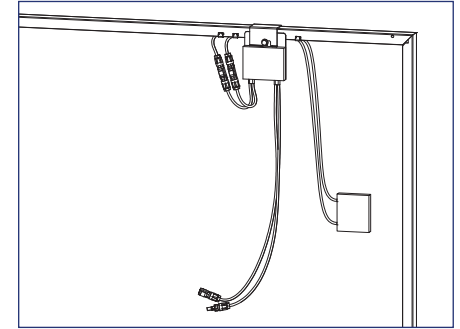
## INSTALLATION INSTRUCTIONS - SOLAREGE FRAME MOUNT



1) Locate the SolarEdge optimizer with Frame-Mounted Module Add-On at a location on the module frame that will not interfere with the TopSpeed™ Mounts.



2) Install the optimizer mounting plate onto the module frame and tighten hardware to 11 ft-lbs.



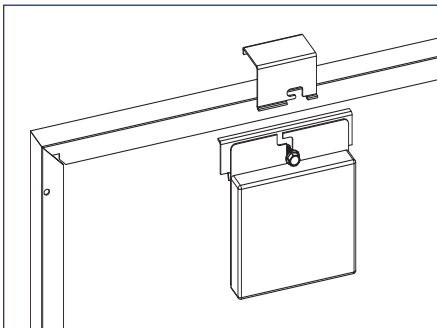
3) Connect the module leads to the input connectors on the optimizer and manage conductors with SnapNrack Smart Clips.



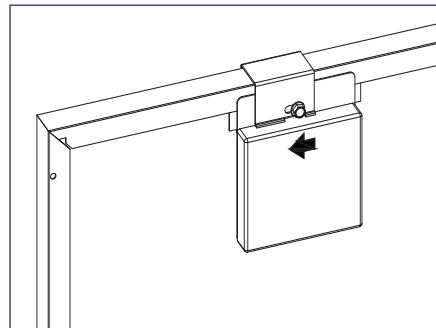
### Install Note:

If module is mounted in portrait, install MLPE on long side, short side for landscape.

## INSTALLATION INSTRUCTIONS - ENPHASE FRAME MOUNT



1) Locate the Enphase Frame Mount bracket clamp at a location on the module frame that will not interfere with the TopSpeed™ Mounts.

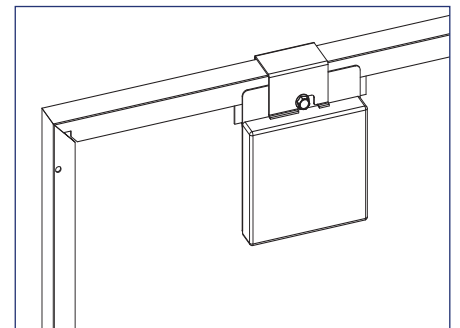


2) Slide the microinverter unit onto the bracket clamp, then move it slightly to the left.



### Install Note:

The microinverter mounting flange should be on the outside of the module frame.



3) Tighten the hardware to 13 ft-lbs.

4) Connect module leads to microinverter DC connectors.



### Install Note:

Refer to the Enphase Frame Mount installation guide for additional instructions.

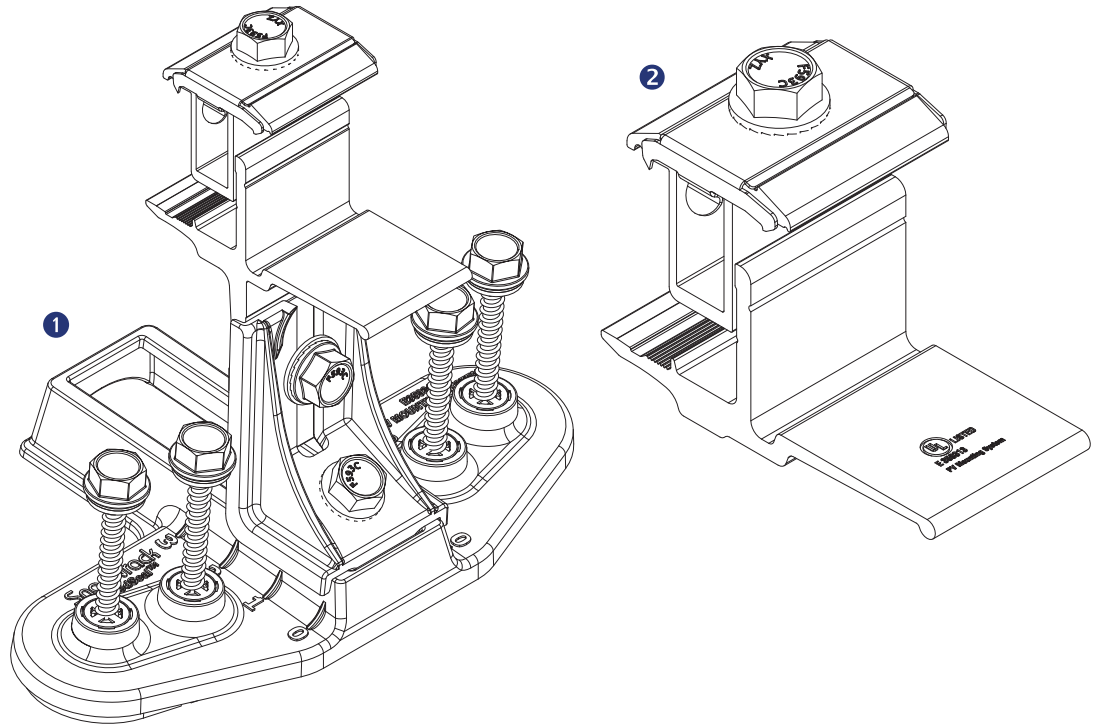


## Required Tools

- Socket Wrench
- Torque Wrench
- 1/2" Socket
- Roofing Sealant

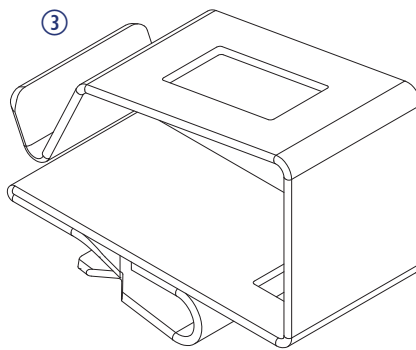
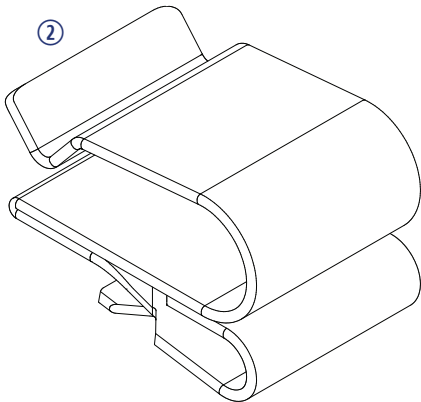
## Materials Included

- ① SnapNrack TopSpeed™ Mount
- ② SnapNrack TopSpeed™ Clamp



## Other Materials Required

- ② SnapNrack Smart Clip (2-5 per module)  
*See Wire Management section for details*
- ③ SnapNrack Smart Clip XL (10-20 per array)  
*See Wire Management section for details*



## INSTALLATION INSTRUCTIONS - BOTTOM ROW

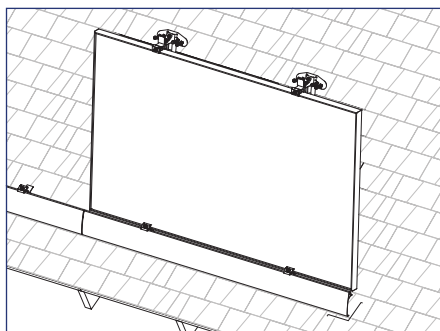
### Recommended Best Practice:

**Attach all TopSpeed™ mounts as the modules are being prepped with MLPEs on the ground. Attach Mounts before attaching MLPEs to simplify wire management.**

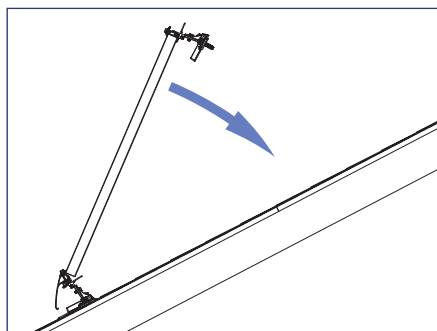
### Install Note:

It is recommended that module leads and connectors are prepared for installation using SnapNrack Smart Clips before being brought to the rooftop.

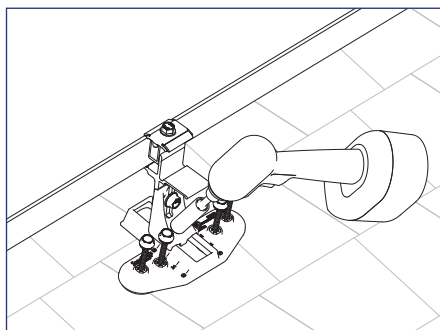
- With no MLPE, secure module leads to module frame to allow access to connectors while modules are installed
- Secure MLPE device to module frame with SnapNrack MLPE Frame Attachment Kit and connect module leads to MLPE, and manage leads by positioning connectors to allow access during installation



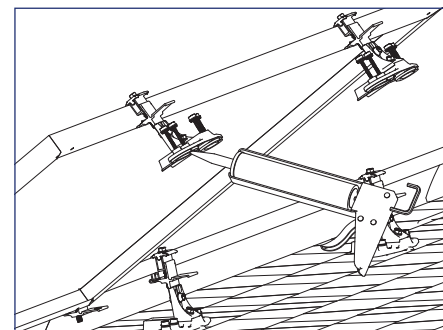
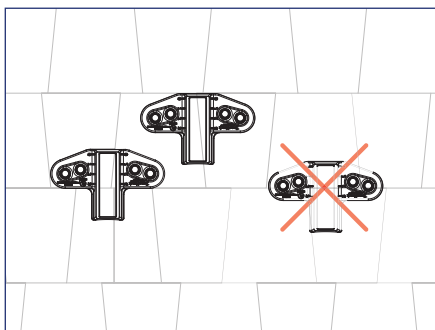
1) Rest downslope edge of module on the Mounts and/or Clamps position module so side edge is flush with marked edge of array layout or Skirt.



2) Lower upslope edge of module while simultaneously applying slight pressure to seat module into Mounts and/or Clamps.



3) When module is level with roof verify the Speedseal™ portion of the TopSpeed™ Mounts are positioned entirely on one course of composition. If required listen the 1/2" nut and adjust the base as needed then tighten the bolt.

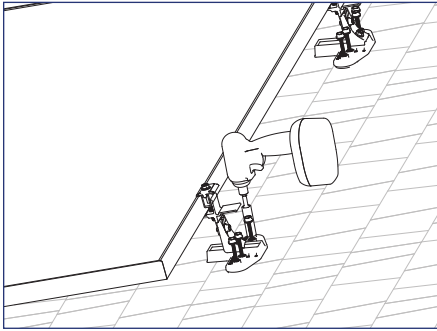


4) Lift the upslope edge of the module and fill the SpeedSeal™ reservoir with roofing sealant.

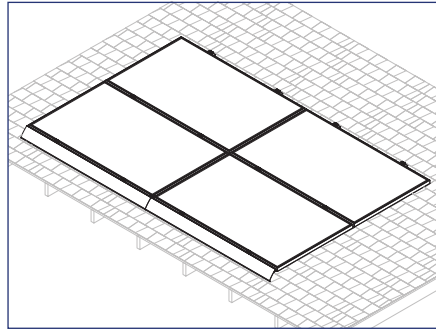
### Install Note:

Roof sealant should be expelled from both vents of the TopSpeed™ Mount as it is installed to assure the proper amount of roof sealant has been applied. If sealant is not expelled from all four vents, remove TopSpeed™ Mount, add more sealant to the cavity, then reinstall.

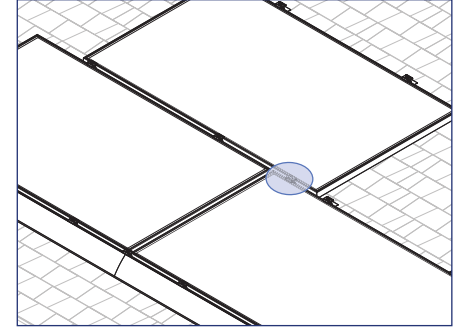
## INSTALLATION INSTRUCTIONS - BOTTOM ROW



5) Lower the module to the roof and drive the (4) pre installed Snapnrack #14 Wood Screws with 1/2" hex head into the roof sheathing.



6) Repeat steps 1 through 5 for additional modules in the array.



7) For staggered arrays and arrays with mixed orientation, use the TopSpeed™ Clamp as needed to support the modules.



### Install Note:

Roof sealant should be expelled from both vents of the TopSpeed™ Mount as it is installed to assure the proper amount of roof sealant has been applied. If sealant is not expelled from both vents, remove TopSpeed™ Mount, add more sealant to the cavity, then reinstall.

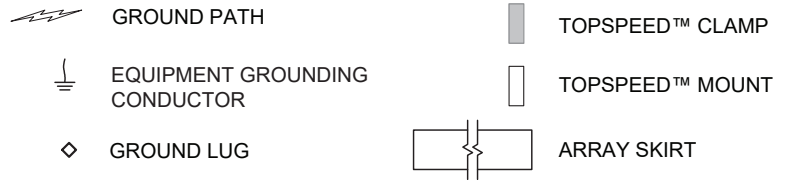
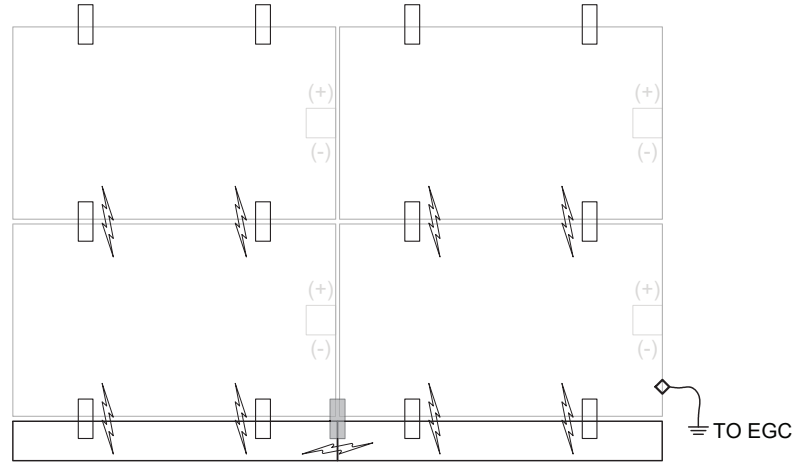
When installing a TopSpeed™ Clamp for support of an over cantilevered module, the clamp shall be installed 2-6" from the edge of the upslope (cantilevered) module.

## GROUND PATH DETAILS

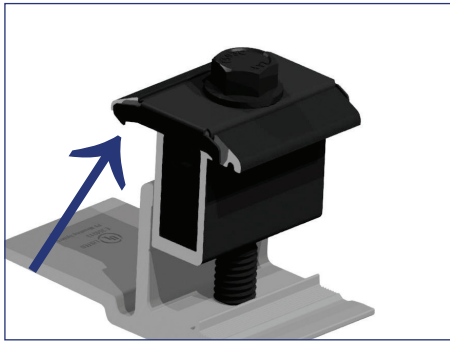
All TopSpeed™ components in the fault current ground path have been Certified to be used multiple times for grounding/bonding. The UL 2703 Listing does not specify a maximum number of uses for the Mount, Link, or Ground Lug. Review the requirements of the National Electrical Code (NEC) Article 250 to select the appropriate Equipment Grounding Conductor size based on the short-circuit current of the PV system.

When using Ground Lug R the following components are part of the fault current ground path:

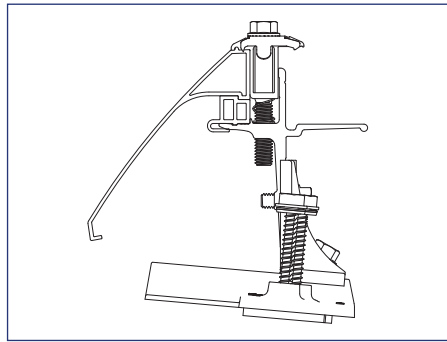
- SnapNrack, TopSpeed™ Mount
- SnapNrack, TopSpeed™ Clamp



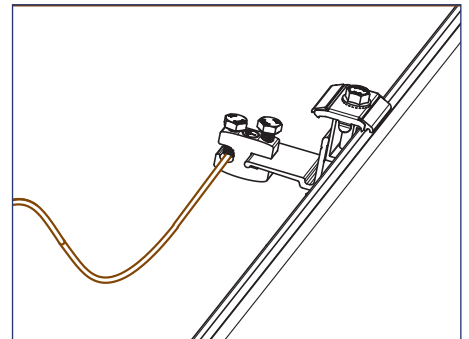
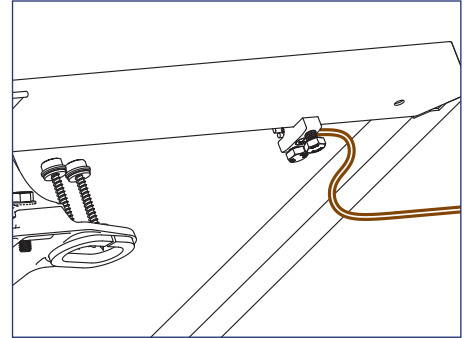
## GROUNDING METHOD DETAILS



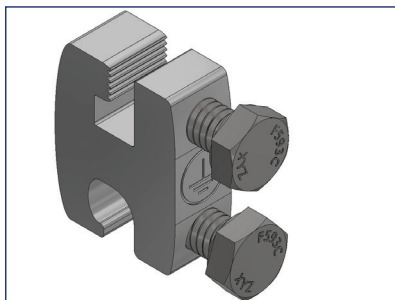
1) Row to row module bonding provided by bonding clips in Mount assembly and Clamp assembly.



2) Column to column bonding provided by Universal Skirt and bonding clips in the Clamp assembly and/or the RL Universal Link assembly.  
Module heights evaluated for bonding with Link Bonding Clamps: 40mm, 38mm, 35mm, 32mm, 30mm



3) Each continuous array is connected to Equipment Grounding Conductor through Ground Lug (242-92202) installed on one module per array.



## GROUNDING MARKING DETAILS

The Ground Lug is marked with the ground symbol.

Optionally; Install Ground Lug on the Mount Landing Pad at the top of the array.

# Maintaining the Grounding Bonding When Removing a Module

## INSTRUCTION FOR MAINTAINING THE GROUNDING BONDING WHEN REMOVING A MODULE FOR SERVICING

**CAUTION:** Module removal may disrupt the bonding path and could introduce the risk of electric shock. Additional steps may be required to maintain the bonding path. Modules should only be removed by qualified persons in compliance with the instructions in this manual.

Module removal is not presented as a frequently expected occurrence and will not be required as part of routine maintenance.

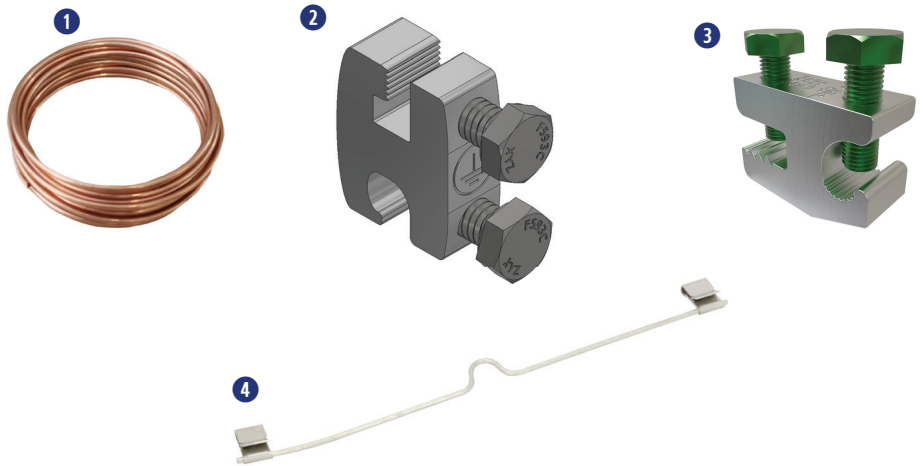
Scenarios that could result in a disruption of the bonding path are described, for example irregularly-shaped arrays, arrays consisting of individual rows, and any other scenario where module removal could disrupt the bonding path. In most cases, the removal of a module for servicing will not disturb or break grounding continuity. If a module is to be removed that will break continuity, these are the steps that must be taken to maintain a continuously bonded SnapNrack TopSpeed™ System.

### Required Tools

- Socket Wrench
- Torque Wrench
- 1/2" Socket
- 7/16" Socket

### Required Materials

- 1 #10 Or Larger Bare Copper Conductor
- 2 SnapNrack Ground Lug part no. 242-92202
- 3 IlSCO Part No. SGB-4
- 4 DnoRaxx Dynobond™

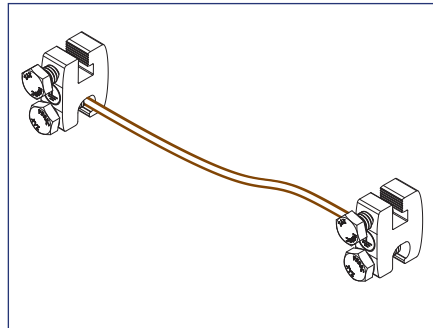


# Maintaining the Grounding Bonding When Removing a Module

## JUMPER ASSEMBLY INSTRUCTION & INSTALLATION

**CAUTION:** Do Not Remove the Module until the Jumper is installed

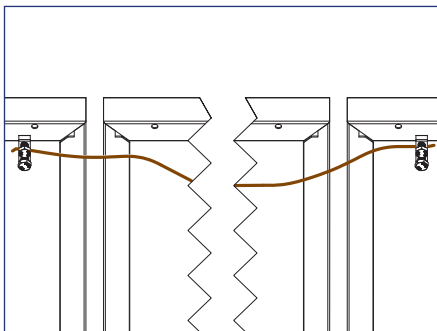
1) Identify the existing ground path at the location of module removal and choose an appropriate length of #10 bare copper to bridge the soon to be broken ground path.



*Example of assembled bonding jumper using (2) SnapNrack Ground Lugs*

2) Attach one ground lug to each end of #10 bare copper wire. See recommended options below:

1. (2) SnapNrack Ground Lug part no. 242-922022
2. (2) IlSCO part no. SGB-4
3. (1) DroRaxx DynoBond™



3) Before the module is removed, attach the assembled bonding jumper. Depending on where the module will be removed and choice of ground lug, jumper attachment locations will vary.

- SnapNrack Ground Lug part no. 242-92202 or IlSCO SGB-4 lugs can be attached to module frames or anywhere on the TopSpeed™ Mount.
- DynoRaxx DynoBond™ is approved and appropriate when a short bonding jumper is needed from module to module.

4) Service the array. With the bonding jumper installed, it is now safe to remove the module for service or maintenance.

5) After Servicing the array reinstall the module and original ground path. Only then Remove the bonding jumper.

**Caution:** Do not remove the bonding jumper until original ground path is established.

## APPROVED MODULE & MLPE INFORMATION

SnapNrack TopSpeed™ System has been tested with the following UL Listed module series: The SnapNrack TopSpeed™ System employs top-down clamps and links which have been evaluated for frame-to-system bonding, at specific mounting torques and with the specific module series listed below. All wattage values are covered.

Module manufacturer approval letters can be found at [www.snaprack.com](http://www.snaprack.com).

Manufacturer	Model	
Aptos Solar	DNA-120-MF23-XXX	DNA-120-BF26-XXXW
	DNA-120-BF23-XXX	DNA-144-BF26-XXXW
	DNA-144-MF23-XXX	DNA-108-BF10-xxxW
	DNA-144-BF23-XXX	DNA-120-BF10-xxxW
	DNA-120-MF26-XXXW	DNA-108-MF10-xxxW
	DNA-144-MF26-XXXW	
Canadian Solar	CS6K-XXX-M	CS1H-XXX-MS
	CS6K-XXX-M-SD	CS1H-XXX-MS-AB
	CS6K-XXX-P	CS3W-XXX-P
	CS6K-XXX-P-SD	CS3N-XXX-MS
	CS6K-XXX-MS	CS1Y-XXX-MS
	CS3K-XXX-P	CS3W-MB-AG
	CS3K-XXX-MS	CS3Y-MB-AG
	CS3U-XXX-MS	CS6W-XXXMB-AG
	CS3U-XXX-P	CS6R-XXXMS-HL
	CS1K-XXX-MS	CS3W-XXX-MS
CertainTeed	CTXXXHC11-06	
Chint Solar	CHSM6612M-XXX	CHSM72M-HC-XXX* (Astro 4)
	CHSM6612M(BL)-XXX	CHSM72M-HC-XXX* (Astro 5)
	CHSM6612M/HV-XXX	
Dehui Solar	DH-M760B-XXXW	DH-M760F-XXXW
	DH-M760W-XXXW	DH-M772F-XXXW
	DH-M772W-XXXW	
Freedom Forever	FF-MP-BBB-xxx	
Hanwha Q Cells	Q.PEAK DUO-G5-XXX	Q.PEAK DUO XL-G10.3/BFG-XXX
	Q.PEAK DUO-BLK-G5-XXX	Q.PEAK DUO G10-XXX
	Q.PLUS DUO-G5-XXX	Q.PEAK DUO BLK G10-XXX
	Q.PEAK DUO-G7-XXX	Q.PEAK DUO G10+-XXX
	Q.PEAK DUO-BLK-G7-XXX	Q.PEAK DUO BLK G10+-XXX
	Q.PEAK DUO-G7.2-XXX	Q.PEAK DUO XL-G10.3-XXX
	Q.PEAK DUO-G6+-XXX	Q.PEAK DUO XL-G10.c-XXX
	Q.PEAK DUO-BLK-G6+-XXX	Q.PEAK DUO XL-G10.d-XXX
	Q.PEAK DUO-G6-XXX	Q.PEAK DUO L-G8.3/BFG-XXX
	Q.PEAK DUO-BLK-G6-XXX	Q.PEAK DUO L-G8.3/BGT-XXX
	Q.PEAK DUO-G8+-XXX	Q.PEAK DUO ML-G10-XXX
	Q.PEAK DUO-BLK-G8+-XXX	Q.PEAK DUO BLK ML-G10+-XXX

Manufacturer	Model	
Hanwha Q Cells	Q.PEAK DUO-G8-XXX	Q.PEAK DUO ML-G10+-XXX
	Q.PEAK DUO-BLK-G8-XXX	Q.PEAK DUO BLK ML-G10-XXX
	Q.PEAK DUO BLK-G6+/AC-XXX	Q.PEAK DUO ML-G10.a+-XXX
	Q.PEAK DUO-ML-G9-XXX	Q.PEAK DUO BLK ML-G10.a+-XXX
	Q.PEAK DUO-BLK-ML-G9-XXX	Q.PEAK DUO ML-G10.a-XXX
	Q.PEAK DUO-BLK-G9-XXX	Q.PEAK DUO BLK ML-G10.a-XXX
	Q.PEAK DUO-BLK-ML-G9+-XXX	Q.PEAK DUO BLK G10+/AC XXX
	Q.PEAK DUO-ML-G9+-XXX	Q.PEAK DUO BLK G10+/HL XXX
	Q.PEAK DUO-BLK-ML-G9+-XXX	Q.PEAK DUO XL-G11.3 XXX
	Q.PEAK DUO XL-G9.2-XXX	Q.PEAK DUO XL-G11.3 BFG XXX
	Q.PEAK DUO XL-G9.3-XXX	Q.TRON-G1+ XXX
	Q.PEAK DUO XL-G9.3/BFG-XXX	Q.TRON BLK-G1+ XXX
	Q.PEAK DUO XL-G10.2-XXX	
HT-SAAE	HT60-166M-XXX	HT60-182M-XXX
Heliene	60M-XXX	72M-XXX
	60P-XXX	72P-XXX
"Hyundai (All may be followed by "BK")"	HiA-SXXXMS	HiS-SXXXYI
	HiS-SXXXXY	HiS-SXXXYH(BK)
Hyperion/Runergy	HY-DH108P8-XXX(Y)	
JA Solar	JAM60S09-XXX/PR	JAM72S10-XXX/PR
	JAM60S10-XXX/MR	JAM72S12-XXX/PR
	JAM60S10-XXX/PR	JAM60S17-XXX/MR
	JAM60S12-XXX/PR	JAM54S30-XXX/MR
	JAM72S09-XXX/PR	JAM54S31-XXX/MR
	JAM72S10-XXX/MR	JAM72D30-XXX/MB
Jinko Solar	JKMXXXM-60	JKMXXXP-72-V
	JKMXXXM-60L	JKMXXXPP-72
	JKMXXXM-60HL	JKMXXXPP-72-V
	JKMXXXM-60HBL	JKMSXXXP-72
	JKMXXXP-60	JKMXXXM-72HL-V
	JKMXXXP-60-J4	JKMXXXM-72HL-TV
	JKMXXXP-60-V	JKMXXXM-72HBL
	JKMXXXP-60B-J4	JKMXXXM-6TL3-B
	JKMXXXPP-60	JKMXXXM-6RL3-B
	JKMXXXPP-60-V	JKMXXXM-7RL3-V
	JKMXXXM-72	JKMXXXM-7RL3-TV
	JKMXXXM-72L-V	JKMXXXM-72HL4-V
	JKMXXXP-72	JKMXXXM-72HL4-TV
LG	LGXXXN1C-A5	LGXXXA1C-V5
	LGXXXN1K-A5	LGXXXM1C-L5
	LGXXXQ1C-A5	LGXXXM1K-L5
	LGXXXQ1K-A5	LGXXXN1C-N5
	LGXXXS1C-A5	LGXXXN1K-L5
	LGXXXN2C-B3	LGXXXN1K-A6
	LGXXXN2W-B3	LGXXXN1C-A6



Manufacturer	Model	
LG	LGXXXN1C-G4	LGXXXN1W-A6
	LGXXXN1K-G4	LGXXXQ1C-A6
	LGXXXS1C-G4	LGXXXQ1K-A6
	LGXXXN2C-G4	LGXXXM1K-A6
	LGXXXN2K-G4	LGXXXM1C-A6
	LGXXXN2W-G4	LGXXXA1C-A6
	LGXXXS2C-G4	LGXXXQAC-A6
	LGXXXS2W-G4	LGXXXQAK-A6
	LGXXXN1C-V5	LGXXXN1K-B6
	LGXXXN1W-V5	LGXXXN2W-E6
	LGXXXN2T-V5	LGXXXN2T-E6
	LGXXXN2T-J5	LGXXXN1K-E6
	LGXXXN1T-V5	LGXXXN3K-V6
	Longi	LR6-60-XXXM
LR6-60BK-XXXM		LR4-60HIB-XXXM
LR6-60HV-XXXM		LR4-60HPH-XXXM
LR6-60PB-XXXM		LR4-60HIH-XXXM
LR6-60PE-XXXM		LR6-60HIH-XXXM
LR6-60PH-XXXM		LR6-60HIB-XXXM
LR6-60HPB-XXXM		LR4-72HPH-XXXM
LR6-60HPH-XXXM		
Meyer Burger	Meyer Burger Black*	Meyer Burger White*
mSolar	TXI6-XXX120BB	
Mission Solar	MSEXXS05T	MSEXXSQ4S
	MSEXXS05K	MSEXXS8K
	MSEXXSQ5T	MSEXXS8T
	MSEXXSQ5K	MSEXXS9S
	MSEXXM4J	MSE60AXXX
	MSEXXM6J	MSEXXS5K
	MSEXXS06W	MSEXXS5T
	MSEXXS04J	MSEXXS6S
	MSEXXS06J	MSEXXS6W
	MSEXXSQ6S	MSEXXS5R
Next Energy Alliance	USNEA-XXXM3-60	USNEA-XXXM3-72
	USNEA-XXXM3B-60	USNEA-XXXM3B-72
Panasonic	VBHNXXXKA03	VBHXXXRA18N
	VBHNXXXKA04	VBHXXXRA03K
	VBHNXXXSA17	EVPVXXX(K)
	VBHNXXXSA18	EVPVXXXH
	VBHN325SA17E	EVPVXXXPK
Phono Solar	PSXXXM-20/U	PSxxxM8GF-18/VH
	PSXXXMH-20/U	PSxxxM8GFH-18/VH
	PSxxxM8GF-24/TH	PSxxxM6-24/TH
	PSxxxM8GFH-24/TH	

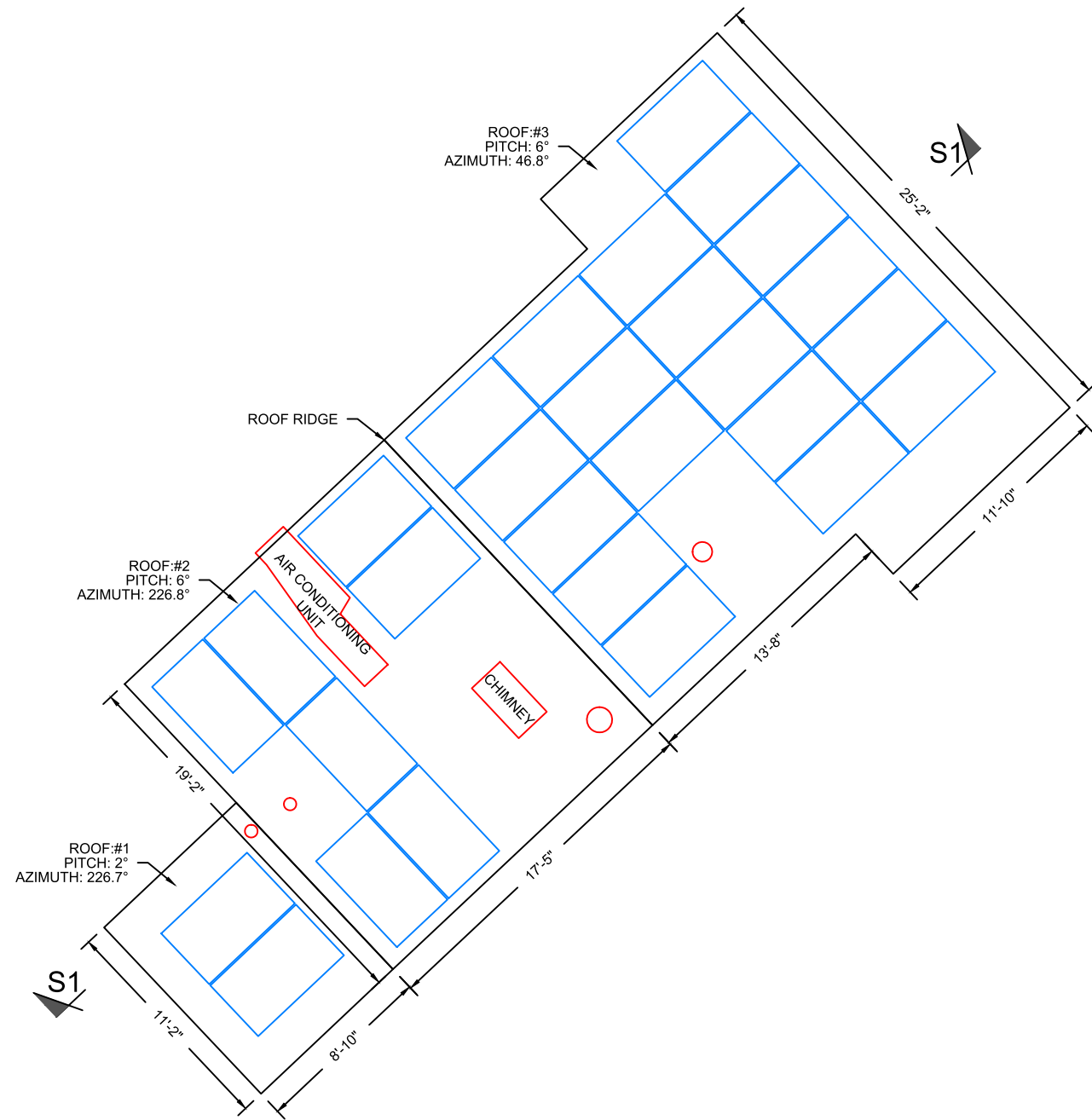
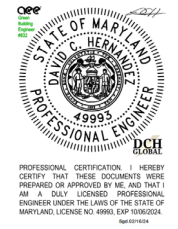
Manufacturer	Model	
REC (All may be followed by "BLK" or "BLACK")	RECXXTP2	RECXXTP2SM 72 BLK2
	RECXXTP2-BLK	RECXXXAA
	RECXXNP	RECXXTP3M
	RECXXTP2M	RECXXTP4
	RECXXTP2M 72	RECXXXAA Pure
	RECXXTP2M 72 BLK	RECXXXAA Pure-R
	RECXXTP2M 72 BLK2	RECXXNP2
	RECXXTP2SM 72	RECXXNP3
	RECXXTP2SM 72 BLK	
SEG Solar	SEG-400-BMB-HV	SEG-xxx-BMD-HV
	SEG-400-BMB-TB	SEG-xxx-BMD-TB
Silfab	SLAXXX-M	SILXXXNT
	SLAXXX-P	SILXXXHL
	SSAXXX-M	SILXXXBK
	SSAXXX-P	SILXXXNX
	SILXXXBL	SILXXXNU
	SILXXXML	SILXXXHC
	SILXXXNL	SILXXXHN
	SLGXXX-M	SILXXXBG
	SLGXXX-P	SIL-xxxHC+
	SSGXXX-M	SIL-xxxHM
	SSGXXX-P	
Solaria	Solaria PowerXT-XXXR-PX	Solaria PowerXT-XXXR-PM
	Solaria PowerXT-XXXR-BX	Solaria PowerXT-XXXR-PM-AC
	Solaria PowerXT-XXXR-AC	
Sunpower	SPR-AXXX-G-AC	SPR-MXXX-H-AC
	SPR-AXXX	SPR-MXXX
	SPR-AXXX-BLK-G-AC	SPR-MXXX-BLK-H-AC
	SPR-AXXX-BLK	SPR-MXXX-BLK
SunSpark	SST-XXXM3-60	SST-XXXM3-72
	SST-XXXM3B-60	SST-XXXM3B-72
Talesun	TP660M-XXX	TP672M-XXX
	TP660P-XXX	TP672P-XXX
Trina	TSM-XXXDD05(II)	TSMXXXDD05H.05(II)
	TSM-XXXDD05A.05(II)	TSM-XXXDD06M.05(II)
	TSM-XXXDD05A.08(II)	TSM-XXXDE15H(II)
	TSM-XXXDD05A.082(II)	TSM-XXXDE15M(II)
	TSM-XXXPA05	TSMXXXDE06X.05(II)
	TSM-XXXPA05.05	TSMXXXDE09.05
	TSM-XXXPA05.08	TSM-XXXDE15V(II)
	TSM-XXXPD05	TSM-XXXDEG15VC.20(II)
	TSM-XXXPD05.002	TSM-XXXDEG18MC.20(II)
TSM-XXXPD05.05	TSM-XXXDEG19C.20	

Manufacturer	Model	
Trina	TSM-XXXPD05.05S	TSM-XXXDEG21C.20
	TSM-XXXPD05.08	TSM-XXXDE09C.05
	TSM-XXXPD05.082	TSM-XXXDE09C.07
	TSM-XXXPD05.08D	TSM-xxxNE09RC.05
	TSM-XXXPD05.08S	
Vikram Solar	SOMERA VSMHBB.60.XXX.05	PREXOS VSMDHT.60.XXX.05
	SOMERA VSMH.72.XXX.05	PREXOS VSMDHT.72.XXX.05
VSUN	VSUNXXX-144BMH-DG	VSUNXXX-108BMH
	VSUNXXX-120BMH	
ZNShine	ZXM6-60-XXX/M	ZXM6-NH144-XXXM
	ZXM6-NH120-XXXM	ZXM7-SH108-XXXM

**SnapNrack TopSpeed™ has been tested with the following Module Level Power Electronic (MLPE) devices:**

SnapNrack TopSpeed™ mounting systems has been tested with the following UL/NRTL Listed Module Level Power Electronic (MLPE) Devices. The back plates of the MLPEs have been evaluated for bonding to TopSpeed™ through the SnapNrack MLPE Frame Attachment Kit, model 242-02151.

MLPE Manufacturer	Model	
AP Smart	RSD-S-PLC	
Celestica International	DG-006-F001201x	DG-006-F001401x
Delta Electronics	GPI00010105	
Enphase	C250	IQ7PLUS-72-2-US
	M215	IQ7PLUS-72-B-US
	M250	IQ8-60
	IQ6-60-2-US	IQ8PLUS-72
	IQ6PLUS-72-2-US	IQ8A-72
	IQ7-60-2-US	IQ8H-208-72
	IQ7-60-B-US	IQ8H-240-72
Generec	S2502	
Ginlong Technologies	Solis-RSD-1G	
	Solis-MLRSD-R1-1G	Solis-MLRSD-R2-1G
SolarEdge	P300-5NC4ARS	P320-5NC4ARS
	P370-5NC4AFS	P400-5NC4AFS
	P320	P340
	P370	P400
	P401	P405
	P485	P505
	P730	P800p
	P850	P860
	P950	P1100
	P1101	S440
	S500	
	SMA	RSB-2S-US-10
Tigo	TS4-R-F	TS4-R-M
	TS4-R-O	TS4-R-S
	TS4-R-M-DUO	TS4-R-O-DUO
	TS4-R-S-DUO	TS4-A-F
	TS4-A-2F	TS4-A-O
	TS4-A-S	

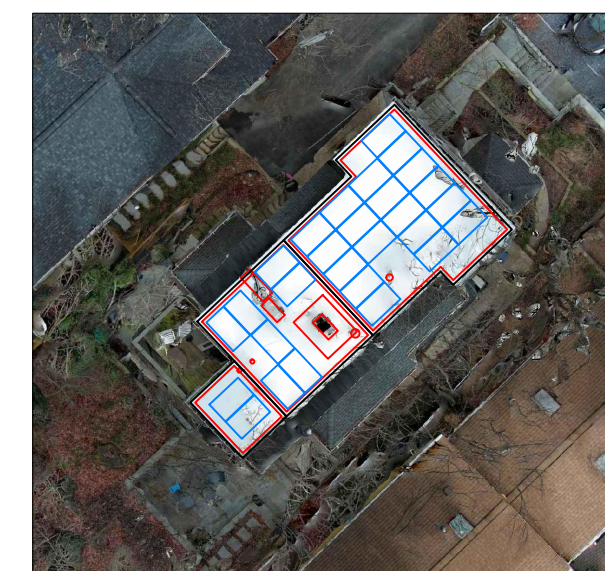


- KEY**
- FIRE SAFETY ZONE
  - 3' PATHWAYS FROM LOWEST ROOF EDGE TO RIDGE PROVIDED PER R324.6.1
  - 1'6" PATHWAYS PROVIDED ON BOTH SIDES OF RIDGE PER R324.6.2

PLAN VIEW TOTAL ROOF AREA: 996 SQFT  
 SOLAR ARRAY AREA: 551.60 SQFT  
 THE SOLAR ARRAY IS 55.4% OF THE PLAN VIEW TOTAL ROOF AREA

- NOTES:**
- THE SYSTEM SHALL INCLUDE (28) LONGI LR4-60HP-355M.
  - SNAPNRACK TOPSPEED WILL BE INSTALLED IN ACCORDANCE WITH SNAPNRACK INSTALLATION MANUAL
  - REFER TO STRUCTURAL DRAWING FOR SECTIONS MARKED AND ADDITIONAL NOTES.

**SOLAR PANEL LAYOUT**  
 Scale: 1/8" = 1'-0"



**Solar Energy World**  
Because Tomorrow Matters

Solar Energy World LLC.  
14880 Sweitzer Lane  
Laurel, MD 20707  
(888) 497-3233

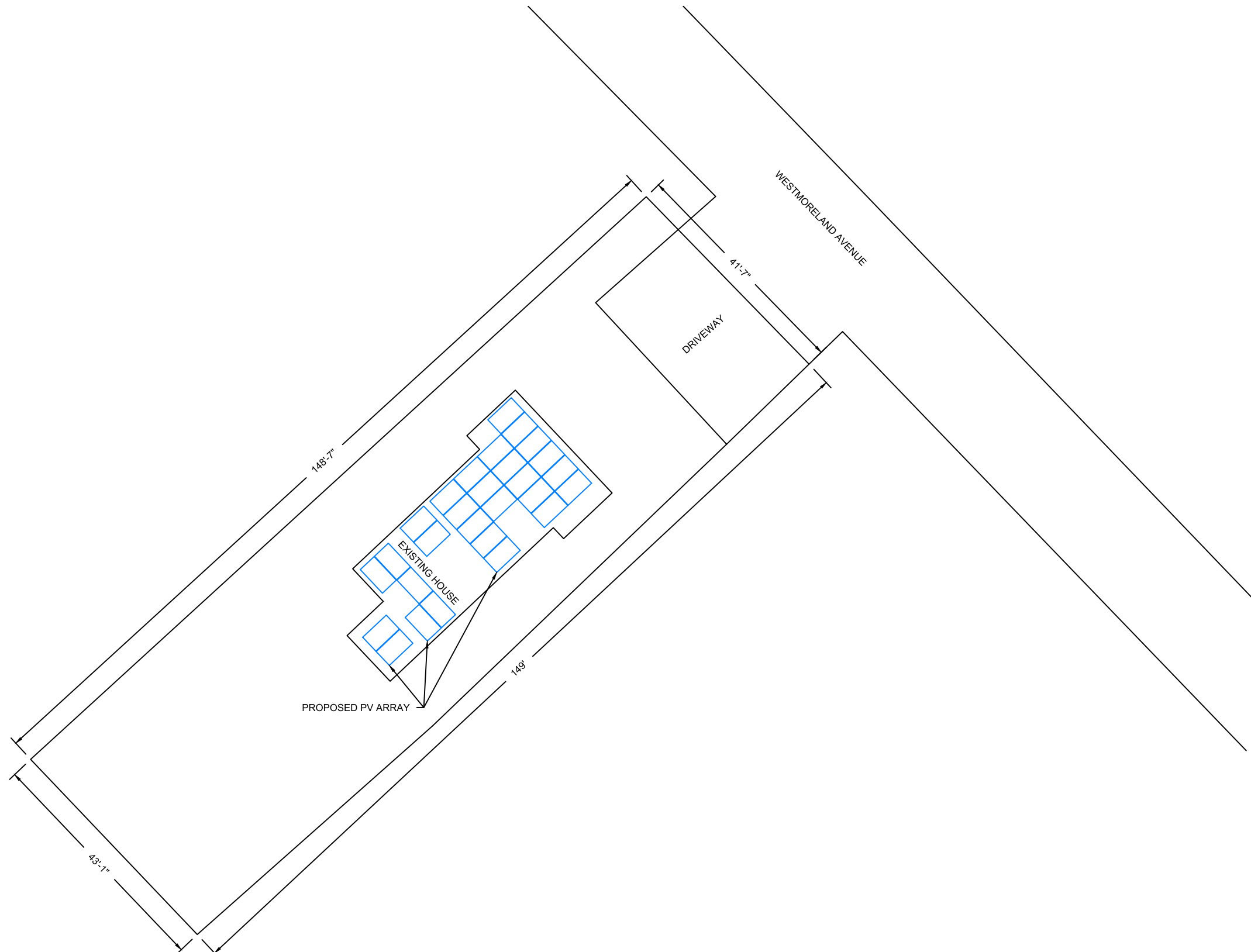
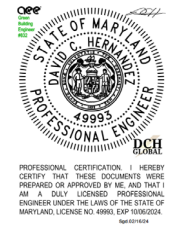
---

**Disclaimer:**  
 This drawing is the property of Solar Energy World Inc. The information herein contained shall be used for the sole benefit of Solar Energy World. It shall not be disclosed to others outside the recipient's organization, in whole or in part, without the written permission of Solar Energy World, except in connection with the sale and use of the respective Solar Energy equipment.


---

Building Code	
International Residential Code (IRC) 2018	
Electrical Code	
National Electrical Code (NEC) 2017	
Wind Speed	Snow Load
115 MPH	30 PSF
Modules	
(28) LONGi LR4-60HP-355M	
Inverter(s)	
(28) IQ8-60-2-US	
DC System Size	AC System Size
9.940 kW	6.720 kW
Customer Information	
Rebecca Wall 6710 Westmoreland Avenue Takoma Park, MD, 20912	
AHU	Utility
Montgomery County	Pepco
Sheet Name	
Solar Panel Layout	
Drawn By	Date
AO	February 15, 2024
Scale	Job Number
AS NOTED	MD17891
Sheet	
A-1	

David C. Hernandez  
 Digitally signed by David C. Hernandez  
 Date: 2024.02.16 10:46:19 -05:00



**SITE PLAN**  
 Scale: 1" = 20'-0"



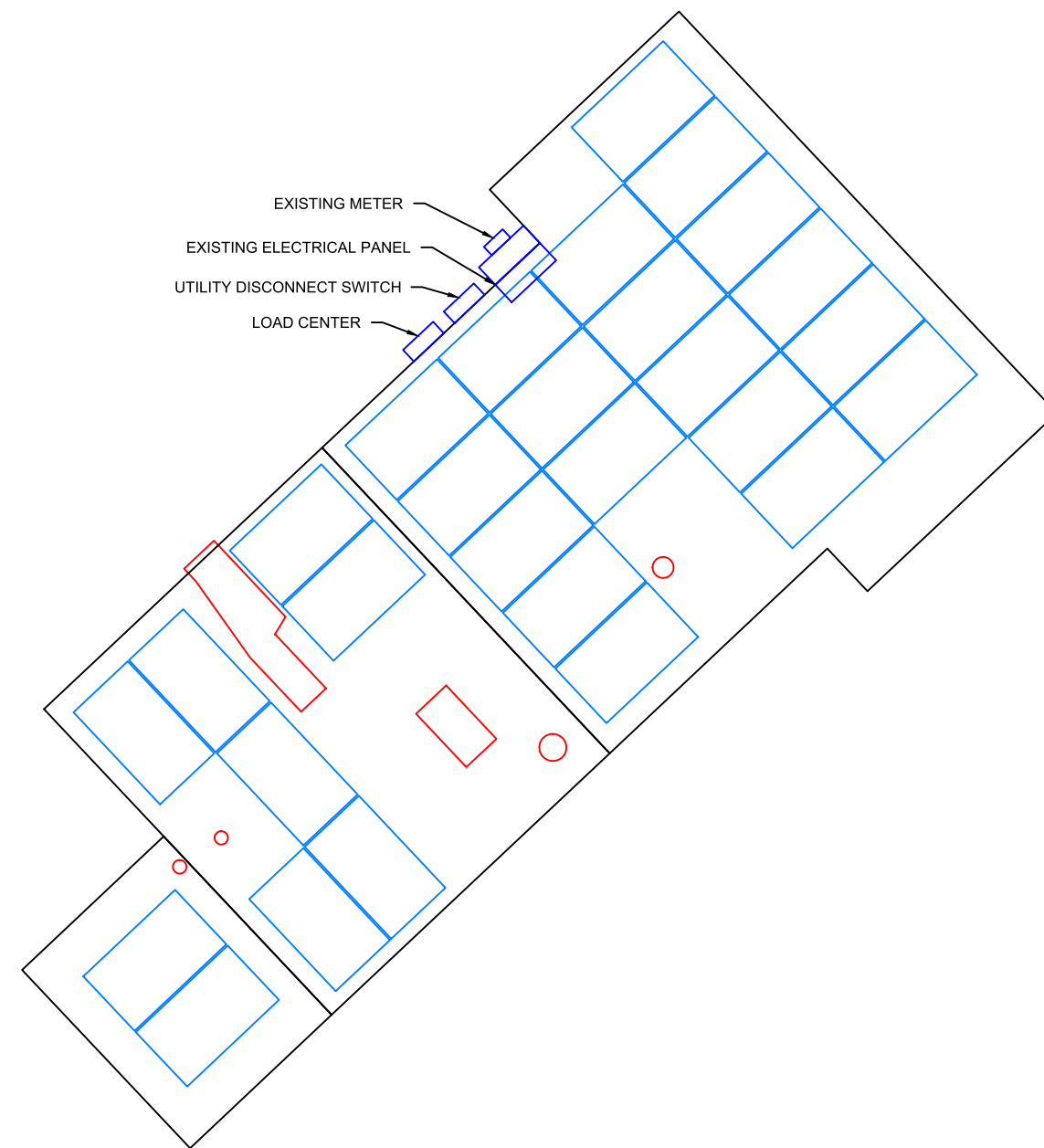
**Solar Energy World**  
 Because Tomorrow Matters

Solar Energy World LLC.  
 14880 Sweitzer Lane  
 Laurel, MD 20707  
 (888) 497-3233

**Disclaimer:**  
 This drawing is the property of Solar Energy World Inc. The information herein contained shall be used for the sole benefit of Solar Energy World. It shall not be disclosed to others outside the recipient's organization, in whole or in part, without the written permission of Solar Energy World, except in connection with the sale and use of the respective Solar Energy equipment.


<small>Building Code</small> International Residential Code (IRC) 2018	
<small>Electrical Code</small> National Electrical Code (NEC) 2017	
<small>Wind Speed</small> 115 MPH	<small>Snow Load</small> 30 PSF
<small>Modules</small> (28) LONGi LR4-60HP-355M	
<small>Inverter(s)</small> (28) IQ8-60-2-US	
<small>DC System Size</small> 9.940 kW	<small>AC System Size</small> 6.720 kW
<small>Customer Information</small> Rebecca Wall 6710 Westmoreland Avenue Takoma Park, MD, 20912	
<small>AHJ</small> Montgomery County	<small>Utility</small> Pepco
<small>Sheet Name</small> Site Plan	
<small>Drawn By</small> AO	<small>Date</small> February 15, 2024
<small>Scale</small> AS NOTED	<small>Job Number</small> MD17891
<small>Sheet</small> <b>A-2</b>	

David C. Hernandez  
 Digitally signed by David C. Hernandez  
 Date: 2024.02.16 10:46:20 -05:00



**EQUIPMENT LOCATION PLAN**  
 Scale: NTS

**NOTE:**  
 EQUIPMENT LOCATION PLAN IS APPROXIMATE, EXACT LOCATION TO BE VERIFIED WITH INSTALLATION CREW AND HOME OWNER AT THE TIME OF INSTALLATION.



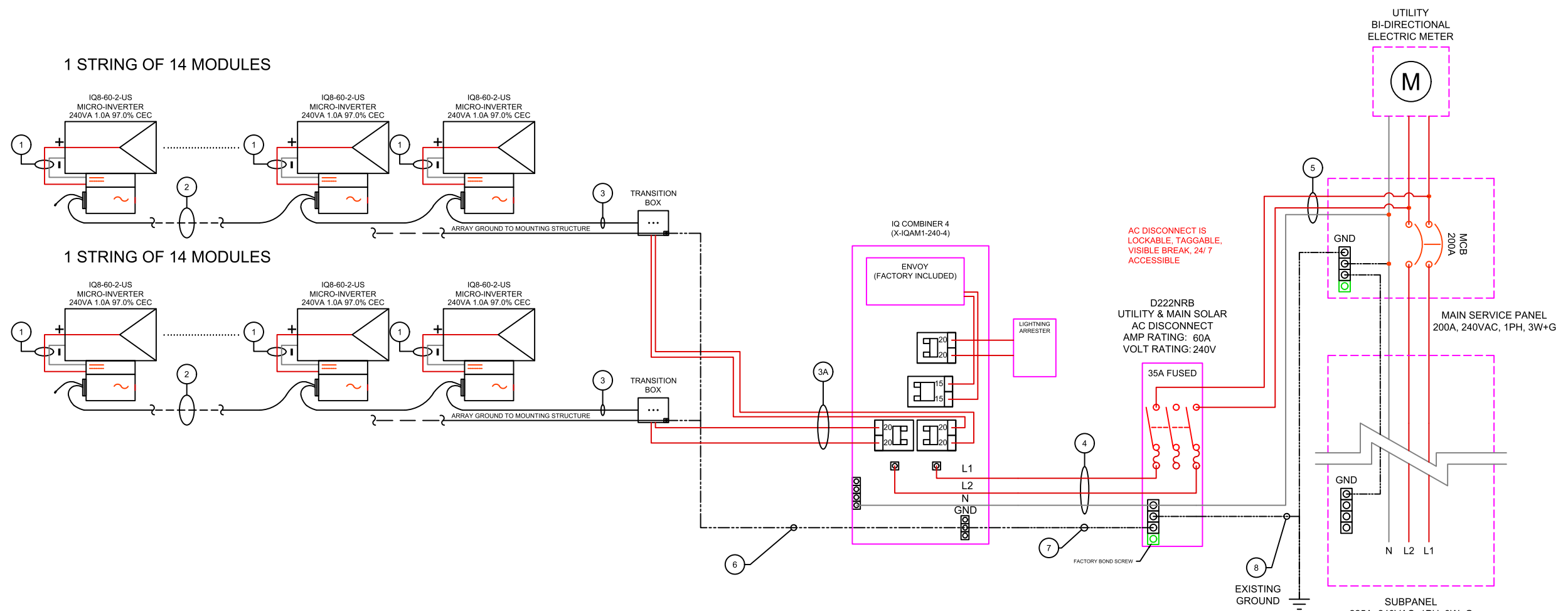
**Solar Energy World**  
 Because Tomorrow Matters

Solar Energy World LLC.  
 14880 Sweitzer Lane  
 Laurel, MD 20707  
 (888) 497-3233

**Disclaimer:**  
 This drawing is the property of Solar Energy World Inc. The information herein contained shall be used for the sole benefit of Solar Energy World. It shall not be disclosed to others outside the recipient's organization, in whole or in part, without the written permission of Solar Energy World, except in connection with the sale and use of the respective Solar Energy equipment.

Building Code	
International Residential Code (IRC) 2018	
Electrical Code	
National Electrical Code (NEC) 2017	
Wind Speed	Snow Load
115 MPH	30 PSF
Modules	
(28) LONGi LR4-60HP-355M	
Inverter(s)	
(28) IQ8-60-2-US	
DC System Size	AC System Size
9.940 kW	6.720 kW
Customer Information	
Rebecca Wall 6710 Westmoreland Avenue Takoma Park, MD, 20912	
AHJ	Utility
Montgomery County	Peppo
Sheet Name	
Equipment Location Plan	
Drawn By	Date
AO	February 15, 2024
Scale	Job Number
AS NOTED	MD17891
Sheet	
<b>E-1</b>	






**3-LINE DIAGRAM**

MODULE SPECIFICATIONS		
MODEL NUMBER	LR4-60HPB-355M	
PEAK POWER	355 W	
RATED VOLTAGE (V <sub>mpp</sub> )	34.60 V	
RATED CURRENT (I <sub>mp</sub> )	10.27 A	
OPEN CIRCUIT VOLTAGE (V <sub>oc</sub> )	40.60 V	
SHORT CIRCUIT CURRENT (I <sub>sc</sub> )	11.25 A	
MAXIMUM SYSTEM VOLTAGE	1000VDC	
INVERTER SPECIFICATIONS		
MODEL NUMBER	IQ8-60-2-US	
MAXIMUM DC VOLTAGE	60 V	
MAXIMUM POWER OUTPUT	240 W	
NOMINAL AC VOLTAGE	240 VAC	
MAXIMUM AC CURRENT	1.00 A	
ARRAY DETAILS		
NO. OF MODULES PER STRING	14	14
NO. OF STRINGS	1	1
ARRAY WATTS AT STC	4970	4970
MAX. VOLTAGE	480 V	480 V

WIRE/CONDUIT SCHEDULE ARRAY			
TAG	DESCRIPTION	WIRE SIZE/TYPE	NOTES
1	Panel to Micro Inverter	PV Wire (Factory Made)	INTEGRATED
2	Micro Inverter to Micro Inverter	Pre-Manufactured Cable	
3	Micro Inverter to Transition Box	Pre-Manufactured Cable	
3A	Transition Box to Load Center	#10 THHN/THWN-2	INTEGRATED
4	Load Center to AC Disconnect	#8 Cu THHN/THWN-2	
5	AC Disconnect to Interconnection Point	#6 Cu THHN/THWN-2	
6	Equipment Grounding Conductor	#8 Cu Bare Copper Wire	
7	Equipment Grounding Conductor	#8 Cu THHN/THWN-2	
8	Grounding Electrode Conductor	#6 Cu	

**GENERAL ELECTRIC NOTES: NEC2017**

- EQUIPMENT USED SHALL BE NEW, UNLESS OTHERWISE NOTED.
  - EQUIPMENT USED SHALL BE UL LISTED, UNLESS OTHERWISE NOTED.
  - EQUIPMENT SHALL BE INSTALLED PROVIDING ADEQUATE PHYSICAL WORKING SPACE AROUND THE EQUIPMENT AND SHALL COMPLY WITH NEC.
  - COPPER CONDUCTORS SHALL BE USED AND SHALL HAVE AN INSULATION RATING OF 600V, 90°C, UNLESS OTHERWISE NOTED.
  - CONDUCTORS SHALL BE SIZED IN ACCORDANCE TO THE NEC. CONDUCTORS AMPACITY SHALL BE DE-RATED FOR TEMPERATURE INCREASE, CONDUIT FILL AND VOLTAGE DROP.
  - ALL CONDUCTORS, EXCEPT PV WIRE SHALL BE INSTALLED IN APPROVED CONDUITS OR RACEWAY. CONDUITS SHALL BE ADEQUATELY SUPPORTED AS PER NEC.
  - AC DISCONNECT SHOWN IS REQUIRED IF THE UTILITY REQUIRES VISIBLE-BLADE SWITCH.
  - EXPOSED NON-CURRENT CARRYING METAL PARTS SHALL BE GROUNDED AS PER NEC.
  - LINE SIDE INTER-CONNECTION SHALL COMPLY WITH NEC.
  - SMS MONITORING SYSTEM AND IT'S CONNECTION SHOWN IS OPTIONAL. IF USED, REFER TO SMS INSTALLATION MANUAL FOR WIRING METHODS AND OPERATION PROCEDURE.
  - ASHRAE FUNDAMENTAL OUTDOOR DESIGN TEMPERATURES DO NOT EXCEED 47°C IN THE U.S. (PHOENIX, AZ OR PALM SPRINGS, CA)
  - FOR LESS THAN 9 CURRENT-CARRYING CONDUCTORS IN ROOF MOUNTED SUNLIGHT CONDUIT USING THE OUTDOOR TEMPERATURE OF 47°C
    - 10AWG CONDUCTOR ARE GENERALLY ACCEPTABLE FOR MODULES WITH AN I<sub>sc</sub> OF 9.6 AMPS WITH A 15 AMP FUSE.
- WIRE SIZING FOR OCPD  
 EX (I<sub>sc</sub> \* (1.25)(1.25)) / (# OF STRINGS IN PARALLEL) = WIRE AMPACITY OR USING NEC TABLE 690.8



**Solar Energy World**  
Because Tomorrow Matters

Solar Energy World LLC.  
14880 Sweitzer Lane  
Laurel, MD 20707  
(888) 497-3233

**Disclaimer:**  
 This drawing is the property of Solar Energy World Inc. The information herein contained shall be used for the sole benefit of Solar Energy World. It shall not be disclosed to others outside the recipient's organization, in whole or in part, without the written permission of Solar Energy World, except in connection with the sale and use of the respective Solar Energy equipment.

Building Code: International Residential Code (IRC) 2018  
 Electrical Code: National Electrical Code (NEC) 2017

Wind Speed <b>115 MPH</b>	Snow Load <b>30 PSF</b>
------------------------------	----------------------------

Modules:  
**(28) LONGi LR4-60HP-355M**

Inverter(s):  
**(28) IQ8-60-2-US**

DC System Size <b>9.940 kW</b>	AC System Size <b>6.720 kW</b>
-----------------------------------	-----------------------------------

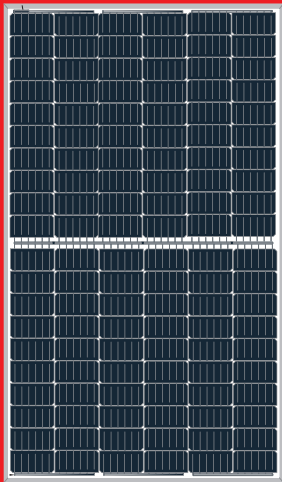
Customer Information:  
**Rebecca Wall**  
 6710 Westmoreland Avenue  
 Takoma Park, MD, 20912

AHU: Montgomery County      Utility: Pepco

Sheet Name:  
**Electrical 3-Line Diagram**

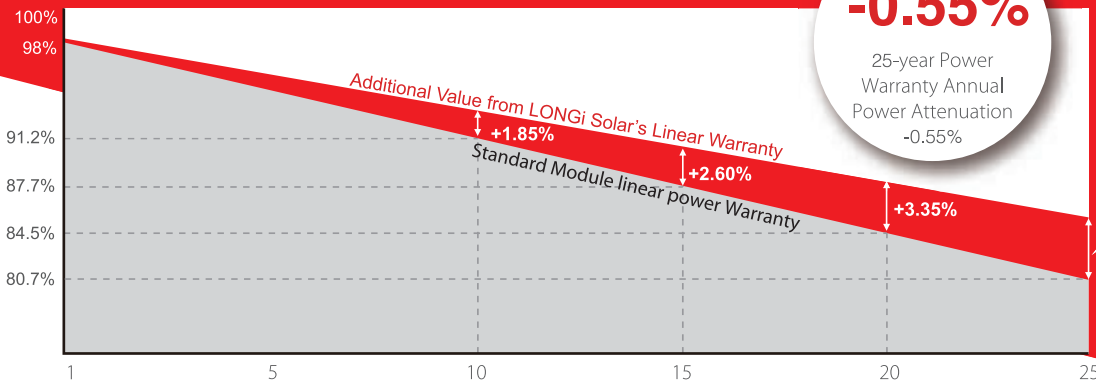
Drawn By <b>AO</b>	Date <b>February 15, 2024</b>
Scale <b>AS NOTED</b>	Job Number <b>MD17891</b>
Sheet <b>E-2</b>	

# LR4-60HPH 350~370M



**High Efficiency  
Low LID Mono PERC with  
Half-cut Technology**

10-year Warranty for Materials and Processing;  
25-year Warranty for Extra Linear Power Output



**-0.55%**

25-year Power  
Warranty Annual  
Power Attenuation  
-0.55%

**+4.10%**

## Complete System and Product Certifications

- IEC 61215, IEC61730, UL1703
- ISO 9001:2008: ISO Quality Management System
- ISO 14001: 2004: ISO Environment Management System
- TS62941: Guideline for module design qualification and type approval
- OHSAS 18001: 2007 Occupational Health and Safety



\* Specifications subject to technical changes and tests. LONGi Solar reserves the right of interpretation.

**Positive power tolerance** (0 ~ +5W) guaranteed

**High module conversion efficiency** (up to 19.8%)

**Slower power degradation** enabled by Low LID Mono PERC technology: first year <2%, 0.55% year 2-25

**Solid PID resistance** ensured by solar cell process optimization and careful module BOM selection

**Reduced resistive loss** with lower operating current

**Higher energy yield** with lower operating temperature

**Reduced hot spot risk** with optimized electrical design and lower operating current

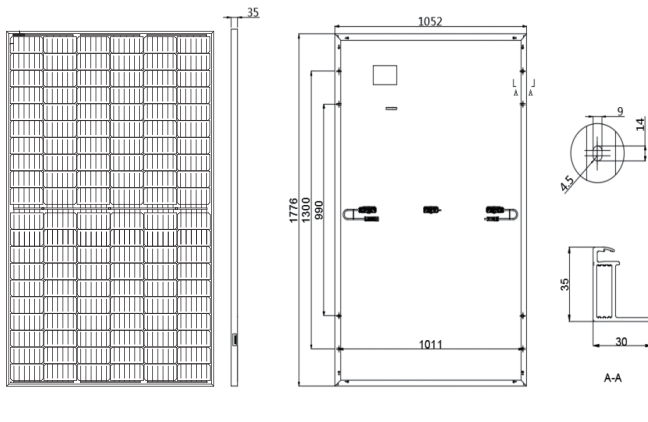


Room 801, Tower 3, Lujiazui Financial Plaza, No.826 Century Avenue, Pudong Shanghai, 200120, China  
Tel: +86-21-80162606 E-mail: module@longi-silicon.com Facebook: www.facebook.com/LONGi Solar

Note: Due to continuous technical innovation, R&D and improvement, technical data above mentioned may be of modification accordingly. LONGi Solar have the sole right to make such modification at anytime without further notice; Demanding party shall request for the latest datasheet for such as contract need, and make it a consisting and binding part of lawful documentation duly signed by both parties.

# LR4-60HPH 350~370M

## Design (mm)



## Mechanical Parameters

Cell Orientation: 120 (6×20)  
 Junction Box: IP68, three diodes  
 Output Cable: 4mm<sup>2</sup>, 300mm in length, length can be customized  
 Glass: Single glass  
 3.2mm coated tempered glass  
 Frame: Anodized aluminum alloy frame  
 Weight: 20 kg  
 Dimension: 1776×1052×35mm

Packaging: 30pcs per pallet  
 180pcs per 20'GP  
 720pcs per 40'HC

Units: mm(inch)  
 Tolerance:  
 Length: ±2mm  
 Width: ±2mm  
 Height: ±1mm  
 Pitch-row: ±1mm

## Operating Parameters

Operational Temperature: -40 C ~ +85 C  
 Power Output Tolerance: 0 ~ +5 W  
 Voc and Isc Tolerance: ±3%  
 Maximum System Voltage: DC1500V (IEC/UL)  
 Maximum Series Fuse Rating: 20A  
 Nominal Operating Cell Temperature: 45±2 C  
 Safety Class: Class II  
 Fire Rating: UL type 1 or type 2

## Electrical Characteristics

Test uncertainty for Pmax: ±3%

Model Number	LR4-60HPH-350M		LR4-60HPH-355M		LR4-60HPH-360M		LR4-60HPH-365M		LR4-60HPH-370M	
	STC	NOCT	STC	NOCT	STC	NOCT	STC	NOCT	STC	NOCT
Maximum Power (Pmax/W)	350	259.3	355	263.0	360	266.7	365	270.4	370	274.1
Open Circuit Voltage (Voc/V)	40.5	37.8	40.7	38.0	40.9	38.2	41.1	38.4	41.3	38.5
Short Circuit Current (Isc/A)	11.02	8.89	11.10	8.95	11.20	9.03	11.28	9.09	11.37	9.17
Voltage at Maximum Power (Vmp/V)	33.3	30.8	33.5	30.9	33.7	31.1	33.9	31.3	34.1	31.5
Current at Maximum Power (Imp/A)	10.52	8.44	10.60	8.50	10.69	8.57	10.77	8.64	10.86	8.71
Module Efficiency(%)	18.7		19.0		19.3		19.5		19.8	

STC (Standard Testing Conditions): Irradiance 1000W/m<sup>2</sup>, Cell Temperature 25 C, Spectra at AM1.5

NOCT (Nominal Operating Cell Temperature): Irradiance 800W/m<sup>2</sup>, Ambient Temperature 20 C, Spectra at AM1.5, Wind at 1m/s

## Temperature Ratings ( STC )

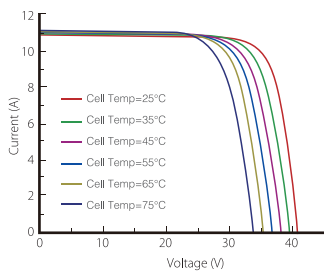
Temperature Coefficient of Isc	+0.057%/C
Temperature Coefficient of Voc	-0.286%/C
Temperature Coefficient of Pmax	-0.370%/C

## Mechanical Loading

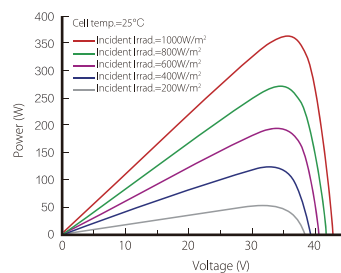
Front Side Maximum Static Loading	5400Pa
Rear Side Maximum Static Loading	2400Pa
Hailstone Test	25mm Hailstone at the speed of 23m/s

## I-V Curve

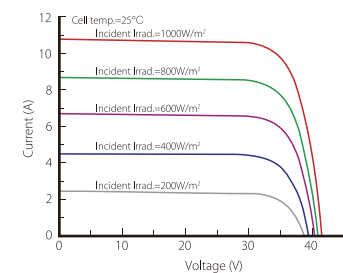
Current-Voltage Curve (LR4-60HPH-360M)



Power-Voltage Curve (LR4-60HPH-360M)



Current-Voltage Curve (LR4-60HPH-360M)



Room 801, Tower 3, Lujiazui Financial Plaza, No.826 Century Avenue, Pudong Shanghai, 200120, China  
 Tel: +86-21-80162606 E-mail: module@longi-silicon.com Facebook: www.facebook.com/LONGI Solar

Note: Due to continuous technical innovation, R&D and improvement, technical data above mentioned may be of modification accordingly. LONGI Solar have the sole right to make such modification at anytime without further notice; Demanding party shall request for the latest datasheet for such as contract need, and make it a consisting and binding part of lawful documentation duly signed by both parties.



## IQ8 and IQ8+ Microinverters

Our newest IQ8 Microinverters are the industry's first microgrid-forming, software-defined microinverters with split-phase power conversion capability to convert DC power to AC power efficiently. The brain of the semiconductor-based microinverter is our proprietary application-specific integrated circuit (ASIC) which enables the microinverter to operate in grid-tied or off-grid modes. This chip is built in advanced 55nm technology with high speed digital logic and has super-fast response times to changing loads and grid events, alleviating constraints on battery sizing for home energy systems.

### Easy to install

- Lightweight and compact with plug-n-play connectors
- Power Line Communication (PLC) between components
- Faster installation with simple two-wire cabling

### High productivity and reliability

- Produce power even when the grid is down\*
- More than one million cumulative hours of testing
- Class II double-insulated enclosure
- Optimized for the latest high-powered PV modules

### Microgrid-forming

- Complies with the latest advanced grid support\*\*
- Remote automatic updates for the latest grid requirements
- Configurable to support a wide range of grid profiles
- Meets CA Rule 21 (UL 1741-SA) requirements

\* Only when installed with IQ System Controller 2, meets UL 1741.

\*\* IQ8 and IQ8Plus supports split phase, 240V installations only.



Part of the Enphase Energy System, IQ8 Series Microinverters integrate with the Enphase IQ Battery, Enphase IQ Gateway, and the Enphase App monitoring and analysis software.



IQ8 Series Microinverters redefine reliability standards with more than one million cumulative hours of power-on testing, enabling an industry-leading limited warranty of up to 25 years.



Connect PV modules quickly and easily to IQ8 Series Microinverters using the included Q-DCC-2 adapter cable with plug-n-play MC4 connectors.



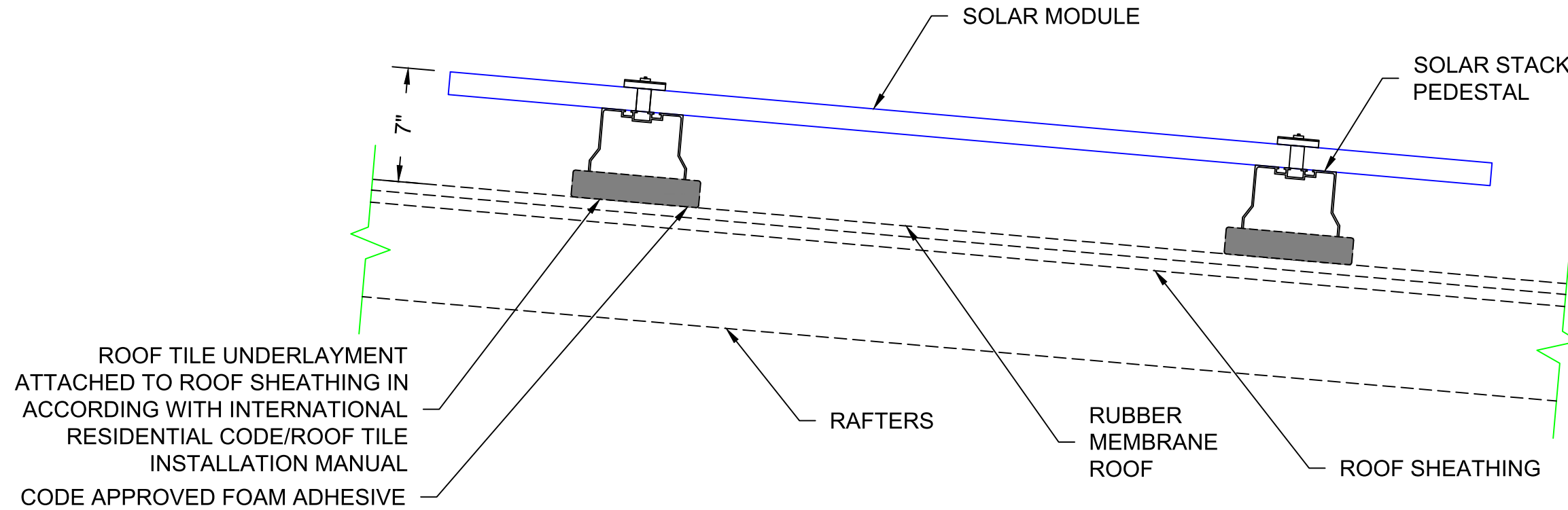
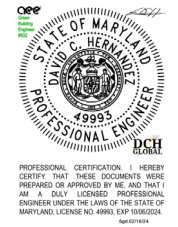
IQ8 Series Microinverters are UL Listed as PV Rapid Shut Down Equipment and conform with various regulations, when installed according to manufacturer's instructions.

## IQ8 and IQ8+ Microinverters

INPUT DATA (DC)		IQ8-60-2-US	IQ8PLUS-72-2-US
Commonly used module pairings <sup>1</sup>	W	235 – 350	235 – 440
Module compatibility		60-cell/120 half-cell	60-cell/120 half-cell, 66-cell/132 half-cell and 72-cell/144 half-cell
MPPT voltage range	V	27 – 37	29 – 45
Operating range	V	25 – 48	25 – 58
Min/max start voltage	V	30 / 48	30 / 58
Max input DC voltage	V	50	60
Max DC current <sup>2</sup> [module Isc]	A		15
Overtoltage class DC port			II
DC port backfeed current	mA		0
PV array configuration		1x1 Ungrounded array; No additional DC side protection required; AC side protection requires max 20A per branch circuit	
OUTPUT DATA (AC)		IQ8-60-2-US	IQ8PLUS-72-2-US
Peak output power	VA	245	300
Max continuous output power	VA	240	290
Nominal (L-L) voltage/range <sup>3</sup>	V		240 / 211 – 264
Max continuous output current	A	1.0	1.21
Nominal frequency	Hz		60
Extended frequency range	Hz		50 – 68
AC short circuit fault current over 3 cycles	Arms		2
Max units per 20 A (L-L) branch circuit <sup>4</sup>		16	13
Total harmonic distortion			<5%
Overtoltage class AC port			III
AC port backfeed current	mA		30
Power factor setting			1.0
Grid-tied power factor (adjustable)			0.85 leading – 0.85 lagging
Peak efficiency	%	97.5	97.6
CEC weighted efficiency	%	97	97
Night-time power consumption	mW		60
MECHANICAL DATA			
Ambient temperature range		-40°C to +60°C (-40°F to +140°F)	
Relative humidity range		4% to 100% (condensing)	
DC Connector type		MC4	
Dimensions (HxWxD)		212 mm (8.3") x 175 mm (6.9") x 30.2 mm (1.2")	
Weight		1.08 kg (2.38 lbs)	
Cooling		Natural convection – no fans	
Approved for wet locations		Yes	
Pollution degree		PD3	
Enclosure		Class II double-insulated, corrosion resistant polymeric enclosure	
Environ. category / UV exposure rating		NEMA Type 6 / outdoor	
COMPLIANCE			
		CA Rule 21 (UL 1741-SA), UL 62109-1, UL1741/IEEE1547, FCC Part 15 Class B, ICES-0003 Class B, CAN/CSA-C22.2 NO. 107.1-01	
Certifications		This product is UL Listed as PV Rapid Shut Down Equipment and conforms with NEC 2014, NEC 2017, and NEC 2020 section 690.12 and C22.1-2018 Rule 64-218 Rapid Shutdown of PV Systems, for AC and DC conductors, when installed according to manufacturer's Instructions.	

(1) No enforced DC/AC ratio. See the compatibility calculator at <https://link.enphase.com/module-compatibility>

(2) Maximum continuous input DC current is 10.6A (3) Nominal voltage range can be extended beyond nominal if required by the utility. (4) Limits may vary. Refer to local requirements to define the number of microinverters per branch in your area.




Structural Details		
S1	Rafter	2x8 O.C. 24"

**NOTES:**

- ALL WORK SHALL COMPLY WITH REQUIREMENTS OF INTERNATIONAL RESIDENTIAL CODE (IRC 2018), LOADING CODE (ASCE 7-16), WOOD DESIGN CODE (NDS 2015), AND LOCAL REQUIREMENTS.
- LOAD CRITERIA PER :
  - EXPOSURE CATEGORY "B"
  - GROUND SNOW LOAD,  $P_g = 30$  PSF
  - LATERAL LOAD RISK CATEGORY "II"
  - ULTIMATE DESIGN WIND SPEED = 115 MPH
- SOLAR PANELS AND RACKING SYSTEMS SHALL BE INSTALLED PER MANUFACTURER'S RECOMMENDATION.
- FOLLOW ALL LOCAL AND FEDERAL SAFETY REQUIREMENTS.

**STRUCTURAL ATTACHMENT DETAIL**



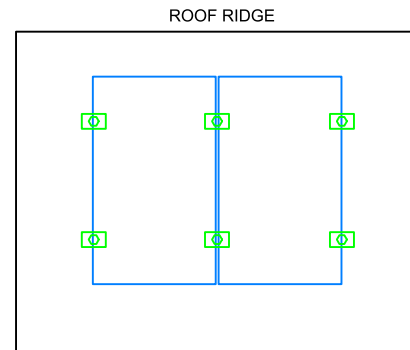
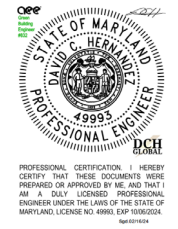
**Solar Energy World**  
Because Tomorrow Matters

Solar Energy World LLC.  
14880 Sweitzer Lane  
Laurel, MD 20707  
(888) 497-3233

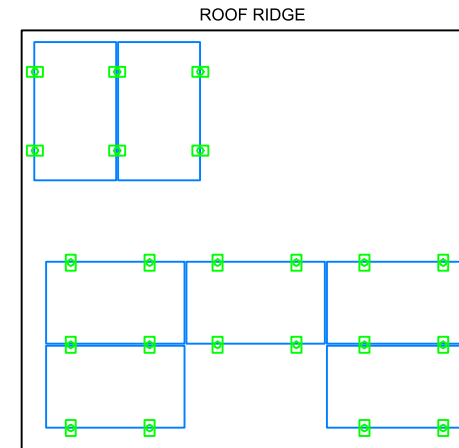
**Disclaimer:**  
 This drawing is the property of Solar Energy World Inc. The information herein contained shall be used for the sole benefit of Solar Energy World. It shall not be disclosed to others outside the recipient's organization, in whole or in part, without the written permission of Solar Energy World, except in connection with the sale and use of the respective Solar Energy equipment.

Building Code	
International Residential Code (IRC) 2018	
Electrical Code	
National Electrical Code (NEC) 2017	
Wind Speed	Snow Load
115 MPH	30 PSF
Modules	
(28) LONGi LR4-60HP-355M	
Inverter(s)	
(28) IQ8-60-2-US	
DC System Size	AC System Size
9.940 kW	6.720 kW
Customer Information	
Rebecca Wall 6710 Westmoreland Avenue Takoma Park, MD, 20912	
AHU	Utility
Montgomery County	Peppo
Sheet Name	
Structural Attachment Details	
Drawn By	Date
AO	February 15, 2024
Scale	Job Number
AS NOTED	MD17891
Sheet	
S-1	

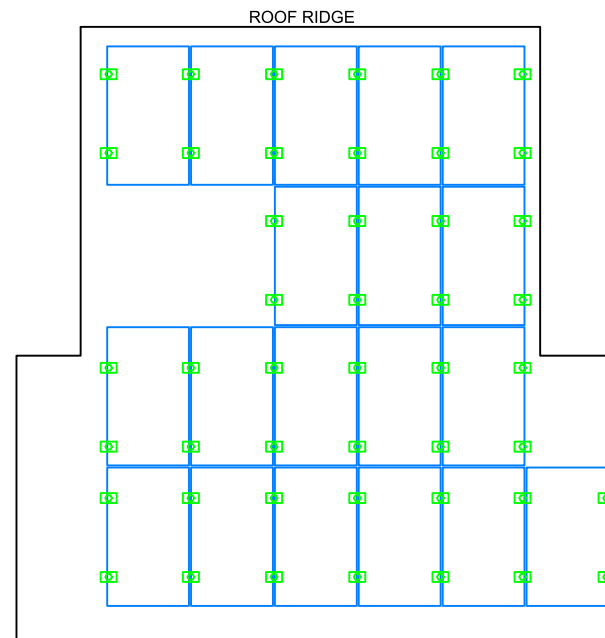




**SOLAR PANEL FOOTING PLAN R1**  
 Scale: 3/16" = 1'-0"



**SOLAR PANEL FOOTING PLAN R2**  
 Scale: 1/8" = 1'-0"




**SOLAR PANEL FOOTING PLAN R3**  
 Scale: 1/8" = 1'-0"

**KEY**

-  MOUNTS WITHOUT SPACERS
-  MOUNTS WITH SPACERS
-  CLAMPS WITHOUT SPACERS
-  CLAMPS WITH SPACERS

**NOTES:**

1. SOLAR STACK SHALL BE INSTALLED IN ACCORDANCE WITH SOLAR STACK INSTALLATION MANUAL.
2. SOLAR STACK SHALL BE SPACED AT A MAXIMUM OF 4' O/C.
3. MAX OVERHANG (CANTILEVER) OF MODULES SHALL NOT EXCEED 12".



**Solar Energy World**  
 Because Tomorrow Matters

Solar Energy World LLC.  
 14880 Sweitzer Lane  
 Laurel, MD 20707  
 (888) 497-3233

**Disclaimer:**  
 This drawing is the property of Solar Energy World Inc. The information herein contained shall be used for the sole benefit of Solar Energy World. It shall not be disclosed to others outside the recipient's organization, in whole or in part, without the written permission of Solar Energy World, except in connection with the sale and use of the respective Solar Energy equipment.

Building Code	
International Residential Code (IRC) 2018	
Electrical Code	
National Electrical Code (NEC) 2017	
Wind Speed	Snow Load
115 MPH	30 PSF
Modules	
(28) LONGi LR4-60HP-355M	
Inverter(s)	
(28) IQ8-60-2-US	
DC System Size	AC System Size
9.940 kW	6.720 kW
Customer Information	
Rebecca Wall 6710 Westmoreland Avenue Takoma Park, MD, 20912	
AHU	Utility
Montgomery County	Pepco
Sheet Name	
Solar Panel Footing Plan	
Drawn By	Date
AO	February 15, 2024
Scale	Job Number
AS NOTED	MD17891
Sheet	
S-2	

# City of Takoma Park

Housing and Community Development Department

Main Office 301-891-7119  
Fax 301-270-4568  
www.takomaparkmd.gov



7500 Maple Avenue  
Takoma Park, MD 20912

## MUNICIPALITY LETTER

February 20, 2024

**To:** Rebecca Wall  
6710 Westmoreland Avenue, Takoma Park, MD 20912  
rebeccawall@gmail.com (732) 979-6883

**To:** Department of Permitting Services  
2425 Reedie Drive, 7<sup>th</sup> floor  
Wheaton, Maryland 20902

**From:** Planning and Development Services Division

### **THIS IS NOT A PERMIT – For Informational Purposes Only**

VALID FOR ONE YEAR FROM DATE OF ISSUE

The property owner is responsible for obtaining all required permits from Montgomery County and the City of Takoma Park. If this property is in the **Takoma Park Historic District**, it is subject to Montgomery County Historic Preservation requirements.

**Representative Name:** Solar Energy World-Tina Crouse permitting@solarenergyworld.com 410-579-2009  
**Location of Project:** 6710 Westmoreland Ave, Takoma Park, MD 20912  
**Proposed Scope of Work:** Install (28) roof mounted solar panels, 9.94 kW

The purpose of this municipality letter is to inform you that the City of Takoma Park has regulations and city permit requirements that may apply to your project. This municipality letter serves as notification that, in addition to all Montgomery County requirements, you are required to comply with all City permitting requirements, including:

- Tree Impact Assessment/Tree Protection Plan
- Stormwater management
- City Right of Way

Failure to comply with these requirements could result in the issuance of a Stop Work Order and other administrative actions within the provisions of the law. Details of Takoma Park's permit requirements are attached on page 2.

The issuance of this letter does not indicate approval of the project nor does it authorize the property owner to proceed with the project. The City retains the right to review and comment on project plans during the Montgomery County review process.



# City Of Takoma Park

## The City of Takoma Park permits for the following issues:

### Tree Impact Assessment/Tree Protection Plan/Tree Removal Application:

Construction activities that occur within 50 feet of any urban forest tree (7 and 5/8" in trunk diameter or greater), located on the project property or on an adjacent property, may require a Tree Impact Assessment and possibly a Tree Protection Plan Permit. Make sure to submit a request for a Tree Impact Assessment and schedule a site visit with the City's Urban Forest Manager if any urban forest tree is in the vicinity of proposed construction activities. See the Tree Permits section of the City website for the specific conditions in which a Tree Impact Assessment is required. Depending on the Urban Forest Manager's conclusion following the Tree Impact Assessment, you may need to prepare a full Tree Protection Plan and apply for a Tree Protection Plan Permit as well. Separately, the removal of any urban forest tree will require a Tree Removal Permit application. The tree ordinance is detailed in the City Code, section 12.12. For permit information check: <https://takomaparkmd.gov/services/permits/tree-permits>. The City's Urban Forest Manager can be reached at 301-891-7612 or [urbanforestmanager@takomaparkmd.gov](mailto:urbanforestmanager@takomaparkmd.gov).

### Stormwater Management:

If you plan to develop or redevelop property, you may be required to provide appropriate stormwater management measures to control or manage runoff, as detailed in City Code section 16.04. All commercial or institutional development in the city must apply for a Stormwater Management Permit regardless of the size of the land disturbance. Additions or modifications to existing detached single-family residential properties do not require a Stormwater Management permit if the project does not disturb more than 5,000 square feet of land area. For more information on visit: <https://takomaparkmd.gov/government/public-works/stormwater-management-program/>. The City Engineer should be contacted to determine if a City permit is required. The City Engineer can be reached at 301-891-7620.

### City Right of Way:

- To place a **construction dumpster or storage container** temporarily on a City right of way (usually an adjacent road), you will need to obtain a permit. A permit is not required if the dumpster is placed in a privately-owned driveway or parking lot.
- If you plan to install a new **driveway apron**, or enlarge or replace an existing driveway apron, you need a Driveway Apron Permit.
- If you plan to construct a **fence** in the City right of way, you need to request a Fence Agreement. If approved, the Agreement will be recorded in the Land Records of Montgomery County.

For more information and applications for City permits, see: <https://takomaparkmd.gov/services/permits/> or contact the Department of Public Works at 301-891-7633.

**Failure to comply with the City's permitting requirements could result in the issuance of a Stop Work Order and other administrative actions within the provisions of the law.**

eSigned via SeamlessDocs.com  
*Tina Crouse*  
Key: 38bf2056622713c0b979ea7ee94776a

Tina Crouse

02-16-2024

eSigned via SeamlessDocs.com  
*Takoma Park Planning Division*  
Key: 19fe64f123e96a3ff4576219059d5fba

02-20-2024



DEPARTMENT OF PERMITTING SERVICES

Marc Elrich  
*County Executive*

Rabbiah Sabbakhan  
*Director*

# HISTORIC AREA WORK PERMIT APPLICATION

Application Date: 2/19/2024

Application No: 1059492  
AP Type: HISTORIC  
Customer No: 1408761

## Affidavit Acknowledgement

The Contractor is the Primary applicant authorized by the property owner  
This application does not violate any covenants and deed restrictions

## Primary Applicant Information

Address 6710 WESTMORELAND AVE  
TAKOMA PARK, MD 20912

Othercontact Solar Energy World (Primary)

## Historic Area Work Permit Details

Work Type ALTER

Scope of Work Install (28) roof mounted solar panels, 9.94 kW